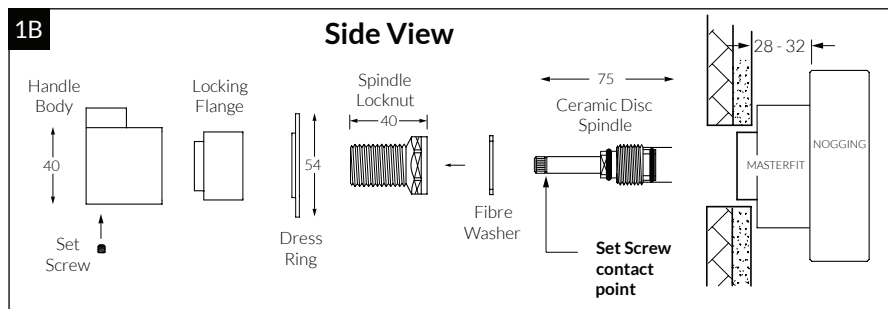
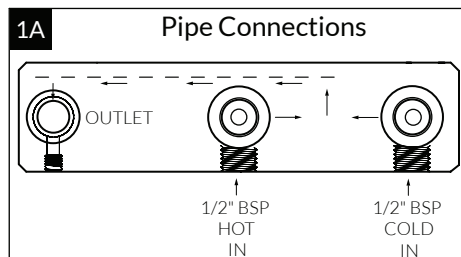
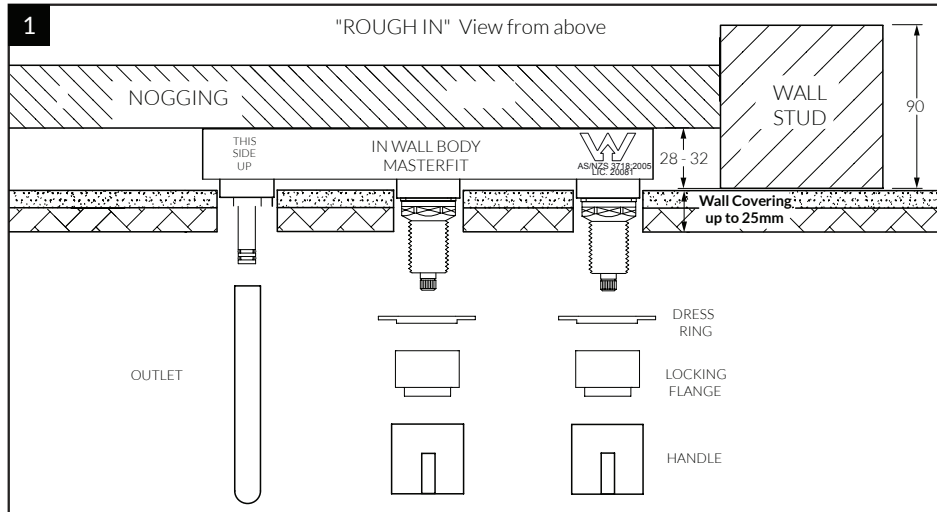


Calibre Wall bath hostess system

SUSSEX



Product code

CBHS150 Wall bath hostess system 150mm
CBHS200 Wall bath hostess system 200mm

CWBHS150 Wall basin hostess system 150mm
CWBHS200 Wall basin hostess system 200mm

Rough in plumbing (Masterfit)

- The Masterfit will be supplied with the Spindles pre-installed.
- Prepare a nogging and secure 28-32mm back from the front of the stud (See Fig.1).
- The Masterfit (in-wall) will be marked "This Side Up" to indicate orientation.
- Using the screws (x4) provided, mount the Masterfit (in-wall) to the Nogging.
- Ensure the Masterfit is level and square to the Wall Studs.

Pipe connections

- The Masterfit is supplied with coloured thread Caps to protect and identify the Hot and Cold inlet connections.
- Flush all water feed lines. All lines must be free from any dirt and debris before connecting to the Masterfit.
- Connect Hot and Cold lines to the corresponding 1/2" BSP ports of the Masterfit. (See Fig.1A)
- Do not remove or disturb any factory fitted pressure plugs or Fixings.
- Once all water connections are made, use the "Spindle Handle Adapter" and check Hot/Cold water operation.
- Check all fittings and fixtures for leaks.
- Store the Dress Kit in a safe place until required (see Dress Finishing Guide)

Fitting off

- Seal the Wall penetration around the Spindle Locknuts and immediately fit the Dress rings and Lock flanges.
- Fit the Handle Body. Ensure the Handle Body is fully engaged onto the Spindle;

NOTE: the Set Screw contact point. (See Fig.1B)

- Secure the Handle body by tightening the Set screw using a 2mm Allen key provided. (Tighten well)
- After completing the installation, establish water supply, check function of the Tapware and ensure no water leaks.

