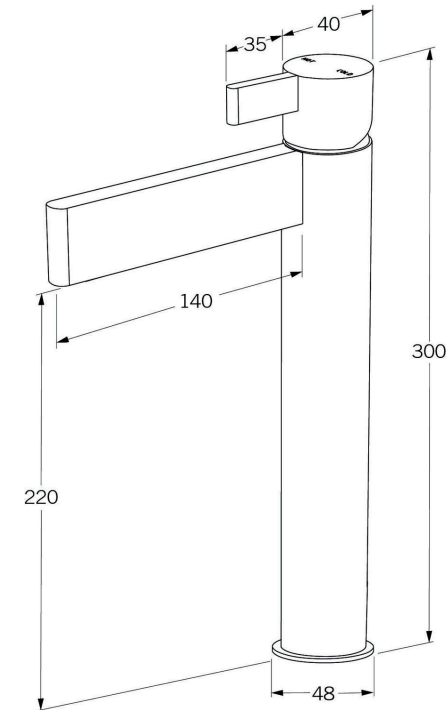


Calibre Extended basin mixer

SUSSEX



Product code

CEBM

Product features

- Designed and manufactured in Australia
- All brass construction
- Fixed handle lever
- Retro fitable
- 25mm ceramic disc cartridge
- Available in a range of high quality, durable finishes inc. LUXPVD®
- Minimal, refined design to complement any contemporary space
- Matching tapware and showers

Warranty

15 Year overall warranty.
Refer to Warranty sheet for specific information.

Pressure rating

300 - 500kPa

Temperature rating

1 - 65°C

WELS rating

5 star - 5lt/min,

