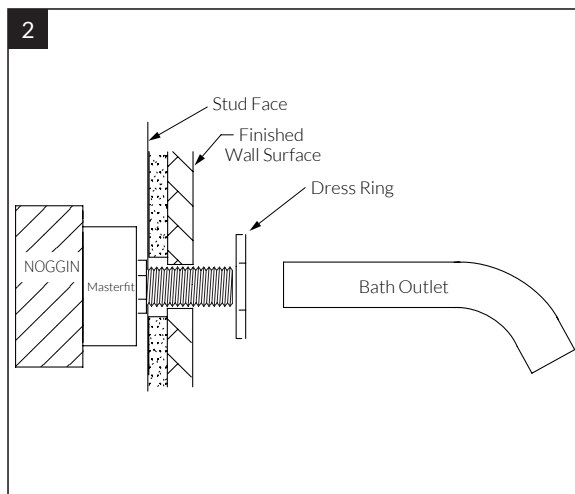
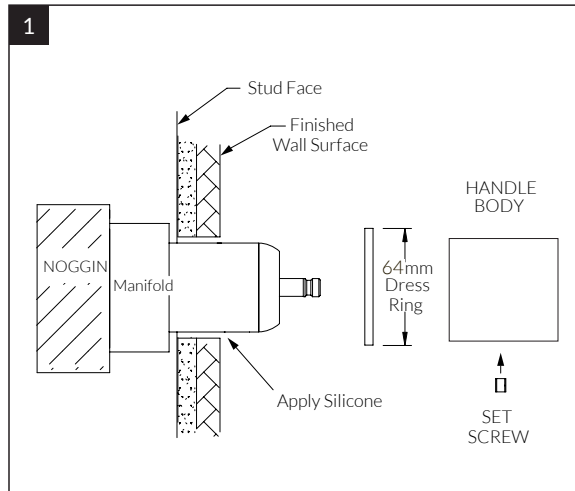


# Circa Vertex Wall basin mixer system Dress kit

# SUSSEX



## Product code

RWBMS150RH	Wall basin mixer system 150mm	RWBMS150RH-V	Wall basin mixer system 150mm - Vertex
RWBMS200RH	Wall basin mixer system 200mm	RWBMS200RH-V	Wall basin mixer system 200mm - Vertex
RWBMS250RH	Wall basin mixer system 250mm	RWBMS250RH-V	Wall basin mixer system 250mm - Vertex

## Mixer dress kit

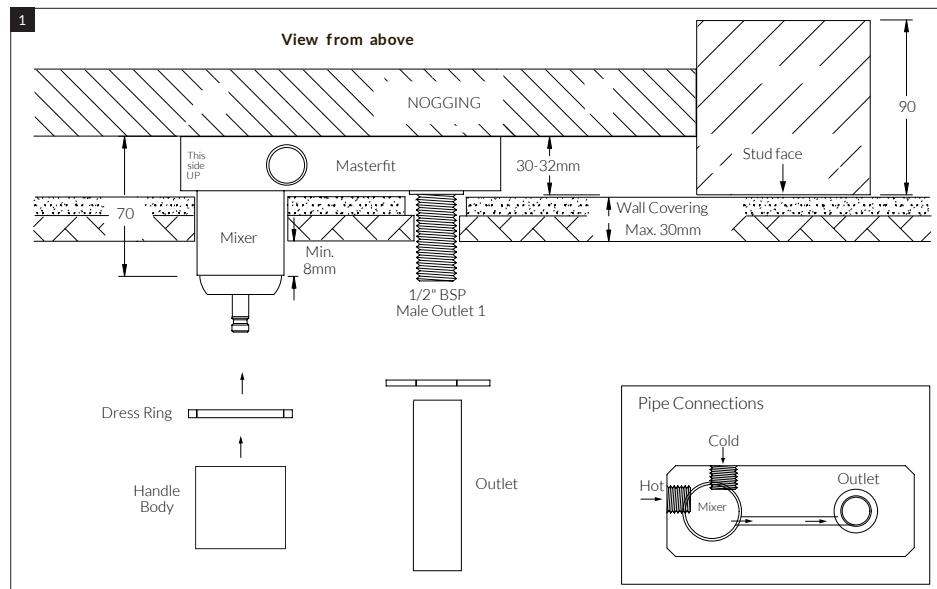
- Remove Mixer protective cover.
- Using silicone, seal the wall surface around the Mixer and Outlet threads.
- Fit the Mixer Dress Ring.
- Fit the Handle Body onto the Mixer Cartridge Lever and ensure full engagement.
- Secure the Handle Body by tightening the Set screw using the Allen Key provided (tighten well).

## Outlet fit off

- Apply sealing tape (Teflon) to male thread.
- Place Dress Ring over outlet.
- Push Dress Ring back to meet the wall.
- Fit and align the Outlet.
- To complete installation, operate the Mixer(s) checking the flow of both hot and cold water from the Outlet. Check all fittings and fixtures for water leaks.

# Circa Vertex Wall basin mixer system Rough in

# SUSSEX



## Product code

RWBMS150RH	Wall basin mixer system 150mm	RWBMS150RH-V	Wall basin mixer system 150mm - Vertex
RWBMS200RH	Wall basin mixer system 200mm	RWBMS200RH-V	Wall basin mixer system 200mm - Vertex
RWBMS250RH	Wall basin mixer system 250mm	RWBMS250RH-V	Wall basin mixer system 250mm - Vertex

## Rough in plumbing

- Prior to installing calculate the finished wall thickness, maximum is 30mm thick. Contact manufacturer for further options.
- If Wall thickness is greater than 30mm, contact manufacturer for further options.
- Prepare a Nogging to be fixed parallel between the Wall Studs.
- The Nogging must be fitted to enable the base of the Masterfit to be 30-32mm back from the Stud Face.
- The Masterfit will be marked "This side Up" to indicate orientation.
- Using the screws (x4) provided, mount the Masterfit to the Nogging. Ensure the Master fit is level and square.

## Pipe connections

- The Hot and Cold ports are marked on the Masterfit. (Mixers have individual Hot/Cold inlet ports).
- Flush all water feed lines. All lines must be free from any dirt and debris before connecting to the Masterfit.
- Connect Hot and Cold lines to the corresponding 1/2" BSP ports of the Masterfit. (see Drawing)
- Do not remove any factory fitted pressure plugs or Fixings.
- Once all water connections are made, check Hot/Cold water flow by operating the Mixer Cartridge.
- Check all fittings and fixtures for leaks.
- Leave the Mixer(s) in the closed position and replace the Mixer protective cover.
- Store the Dress Kit in a safe place until required (see Dress Finishing Guide).

## Plumbers note

- On-site high pressure line testing must be conducted with the Mixer in the closed position. (STATIC TEST ONLY)
- Under no circumstances is the Mixer to be opened when exceeding the maximum stated water pressure.
- At the completion of the testing, do not relieve any high pressure by opening the Mixer.
- Exposing the internals of the Mixer Cartridge to higher than specified water pressures, will void the manufacturer's warranty.

