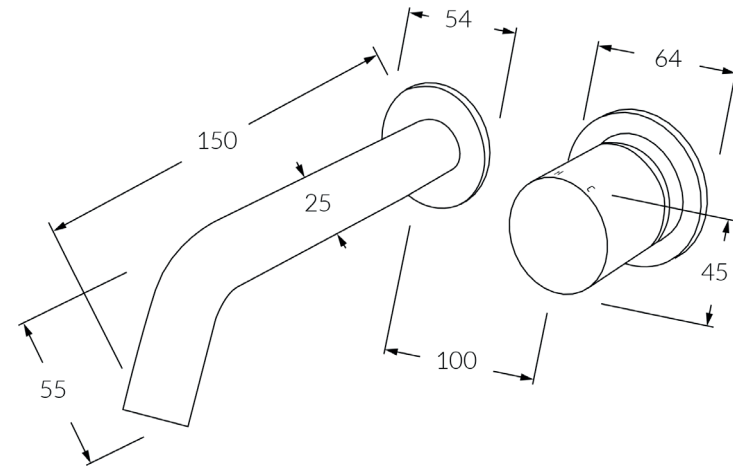


Circa  
**Wall bath mixer system 150mm**

**SUSSEX**



**Product code**

RMOS150RH

**Product features**

- Designed and manufactured in Australia
- All brass construction
- 35mm ceramic disc cartridge
- Customisable
- Incorporating Sussex Masterfit
- Available in a range of high quality, durable finishes inc. LUXPVD®
- Minimal, refined design to complement any contemporary space
- Matching tapware and showers

**Warranty**

15 Year overall warranty.  
Refer to Warranty sheet for  
specific information.

**Pressure rating**

300 - 500kPa

**Temperature rating**

1 - 65°C

