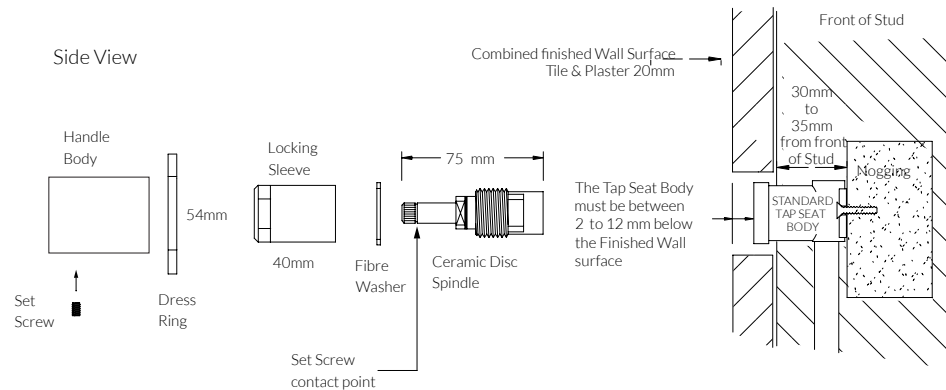


# Circa Wall top assembly

# SUSSEX



## Rough in plumbing

- Upon receiving, carefully unpack the Tapware; note some parts have been combined for packaging purposes.
- Separate parts as shown in diagram. The Spindles are supplied with Hot and Cold indication.
- Install the Spindles hand-tight until the seal of the Spindle makes contact with the seat.
- To ensure a good seal is made; tighten the Spindle slightly more using an appropriate spanner. Do not over-tighten.
- Note, over-tightening the Spindles could damage the ceramic discs and in turn, void the manufacturer's warranty.
- Place the Fibre washer over the seated Spindle and fit the Locking Sleeve. (Tighten well).
- Seal the wall around the Locking Sleeve and immediately fit the Dress Ring.
- Fit the Handle Body, the Handle Body must be fully engaged onto the Spindle; note the Set Screw contact point. (See diagram)
- A mild adhesive can be applied to the Set screw when securing to the spindle.
- Secure the Handle body by tightening the Set screw using the 2mm Allen key provided. (Tighten well)
- After completing the installation, establish water supply, check function of Tapware and ensure no water leaks.

## Product code

RWTA	Wall top assembly
RWTA-V	Wall top assembly - Vertex

## Rough in (new wall breach)

- A standard Wall Breach (not supplied) is to be used in conjunction with this Tapware.
- Prepare a nogging to be fitted 30 - 35mm back from the front of the stud for the fixing of the Wall Breach (as shown).
- When fixing the Breach to the nogging; ensure the Tap seats of the Breach will be level and square to the Finished Wall.
- To ensure the Tapware will fit correctly the thickness of the finished wall coverings must be calculated prior to "Rough In".
- When using thicker than normal wall covering, position the breach as forward as possible to ensure the Tapware will fit.

## Using existing breach (changing tapware only)

- Remove the old Spindles and clean surrounding area.
- When installing new Spindles into old Breaching, it is highly recommended to use a re-seating tool to dress the Seat.
- Ensure the Spindle Seat is clean, flat and free of any debris.
- All lines must be completely flushed prior to fitting the Spindles.
- The distance from the finished Wall surface to the top of the Tap Seat must be between 2 to 12mm (See diagram)
- If the installation configuration is not within the dimensions as shown, alternative Spindles are available.

Longer Spindles can be ordered from original place of purchase. Sussex Part No. SXSPEK (12mm longer than standard)

**NOTE: Seat or Breach Body extensions are NOT to be used in conjunction with this Tapware. Failure to adhere will void warranty.**