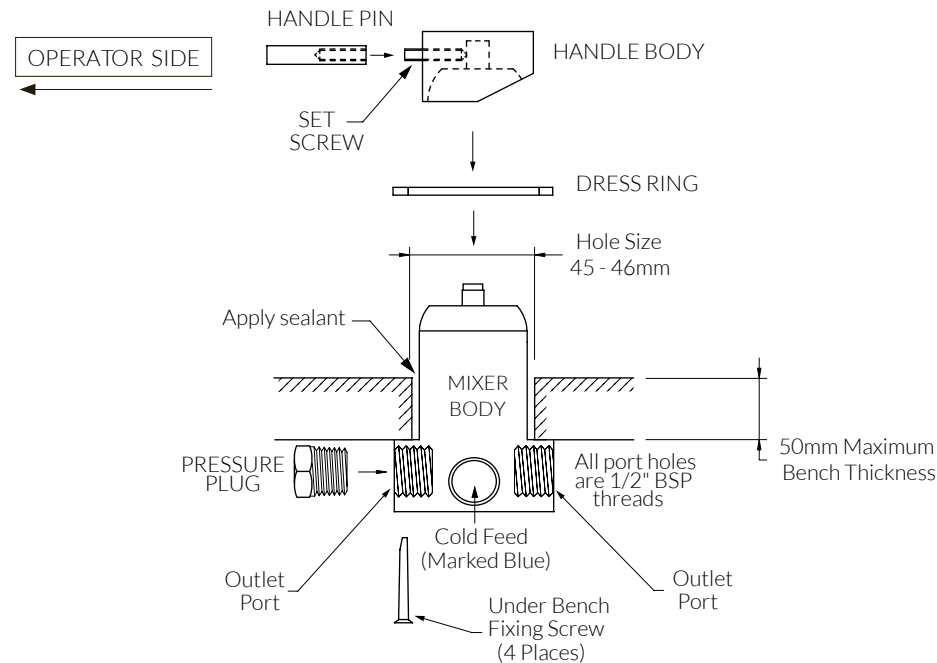


Scala Hob mixer

SUSSEX



Product code

SESHM Hob mixer

- On-site high pressure line testing must be conducted with the Mixer in the closed position. (STATIC TEST ONLY)
- Under no circumstances is the Mixer to be opened when exceeding the maximum stated water pressure.
- At the completion of the testing, do not relieve any high pressure by opening the Mixer.
- Exposing the internals of the Mixer Cartridge to higher than specified water pressures, will void the manufacturer's warranty.

Rough in plumbing

- This Mixer is to fitted by a licensed Plumber. Installations not performed by a licensed Plumber, will void warranty.
- Clearance hole in mounting surface to be between 45-46mm
- Use the Pressure Plug provided and seal one of the Outlet Ports.
- The Hot/Cold Inlet Ports can be Identified by the red and blue markings.
- Attach Hot/Cold water feed to the appropriate side of the Mixer.
- Brass 1/2" Elbows may be attached to the ports, (Elbows are not supplied).
- Provide provisions for the Outlet or Spout and connect line to the Mixer.
- Once all Water connections are made, fix the Mixer to underside of Hob using the screws provided.
- Open flow of Hot/Cold water supply and check the water flow and function of the Mixer
- Check all fittings and connections are water-tight.

Dress finishing

- Apply Silicone and seal the Wall around Fit the Dress Ring onto the Mixer Body until it reaches the finished surface.
- Fit the Handle Body onto the Mixer Cartridge lever. Ensure the Handle Body is full engaged.
- Tighten the Set screw of the Handle Body using the 2.5mm Allen Key provided. (Tighten well)
- Fit the Handle Pin onto the remaining portion of the Set Screw that's protruding from the Handle Body.
- To help prevent the Pin from becoming loose, silicone or a mild adhesive may be applied to the thread of the Pin.