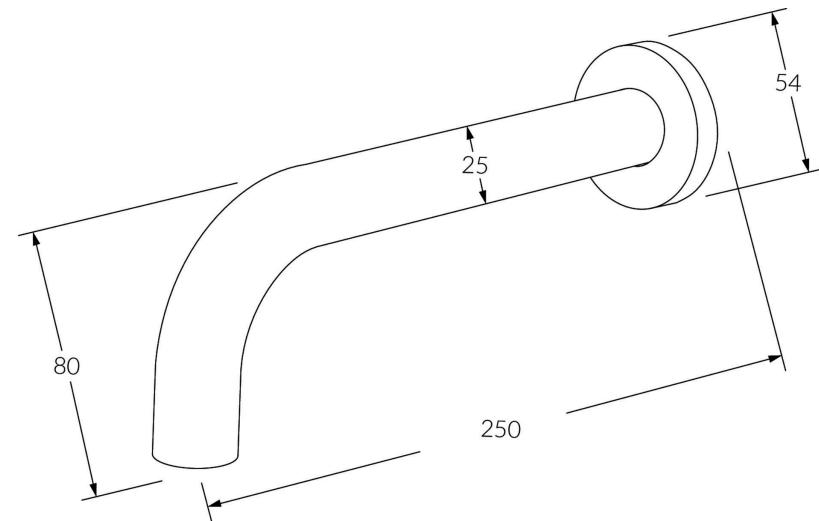


Scala  
25 bath outlet curved 250mm 316 stainless steel

SUSSEX



**Product code**

S25BA250SS

**Product features**

- Designed and manufactured in Australia
- 316 marine grade stainless steel
- Retro fitable
- Customisable
- Minimal, refined design to complement any contemporary space
- Matching tapware, showers and accessories

**Warranty**

15 Year overall warranty.  
Refer to Warranty sheet for specific information.

**Pressure rating**

300 - 500kPa

**Temperature rating**

1 - 65°C

