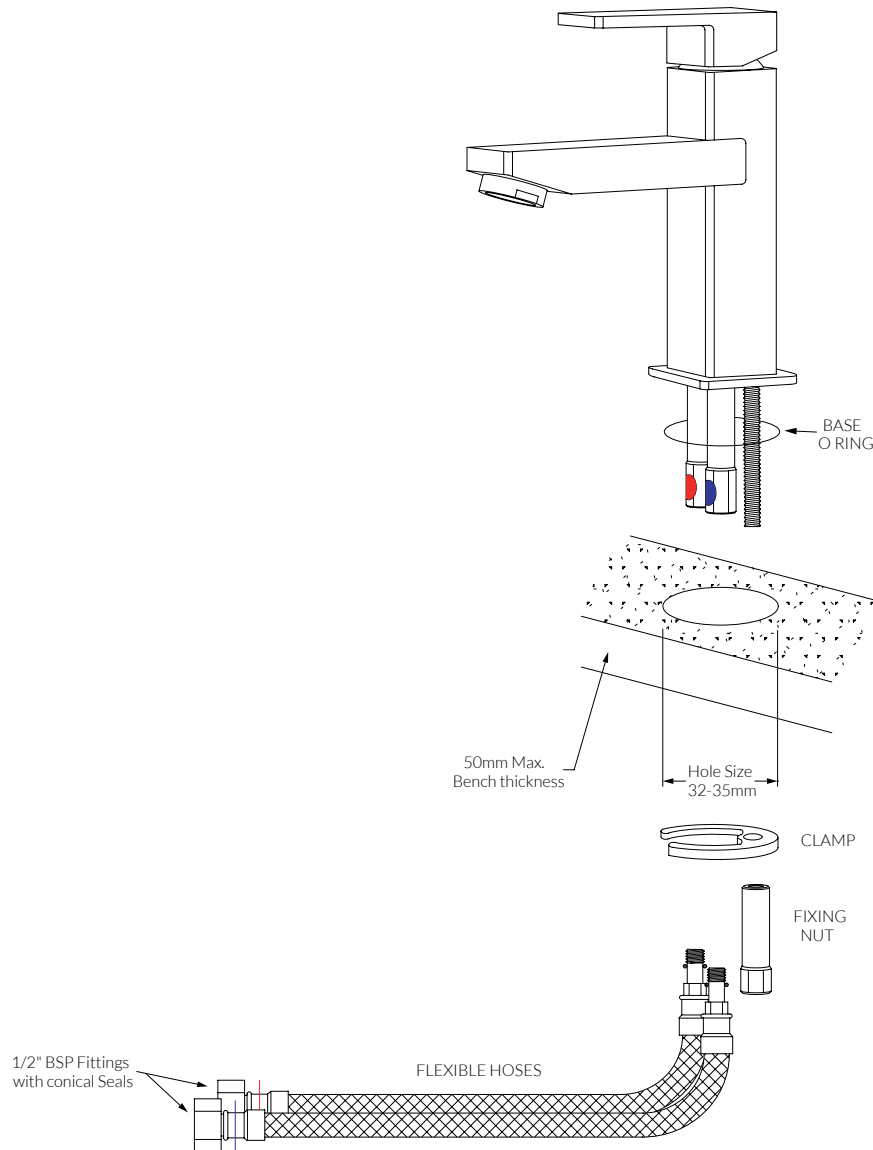


# Suba Basin mixer

# SUSSEX



## Product code

BBM	Basin mixer	BLBM	Lever basin mixer
BEBM85	Extended basin mixer 85mm outlet	BLEBM85	Lever extended basin mixer 85mm outlet
BEBM125	Extended basin mixer 125mm outlet	BLEBM125	Lever extended basin mixer 125mm outlet

## Installation guidelines

- The Mixer is supplied assembled, only the Fixing nut and the Clamp need to be removed.
- After removing the mentioned parts, lower the Mixer on to the mounting surface and fit the Flexible Hoses.
- In some cases the Flexible Hoses may need to be fed through from under the mounting surface and then attached. (Tighten using appropriate spanner)
- After securing the Flexible Hoses, fit Clamp and attach the Fixing Nut from underneath.
- Before fully securing the Mixer ensure that the Base O Ring is intact and the Mixer is properly centered over the mounting surface hole.
- The Mixer mounting surface must be completely sealed and water-tight.
- The 1/2" Fittings of the Flexible Hoses have a conical seal, ensure that the matching threads are cut square and burr free.
- Prior to connecting the Flexible Hoses, ensure all pipework is thoroughly flushed and ensure pipework is free of any dirt or debris.
- Isolating Stop Valves are recommended with all installations. (not supplied)
- Connect the Flexible Hoses to Hot and Cold pipework fittings, ensure the Hoses do not kink or become twisted when tightening.
- Check all fittings and connections are secure and water-tight.

## Plumber note

- On-site testing using higher water pressures must be conducted with the Mixer in the closed position. (STATIC TEST)
- Under no circumstances is the Mixer to be opened when exceeding the maximum stated water pressure.
- At the completion of testing, do not relieve any high water pressure by operating the Mixer.
- Exposing the internals of the Mixer Cartridge to higher than specified water pressures will void the manufacturers warranty.