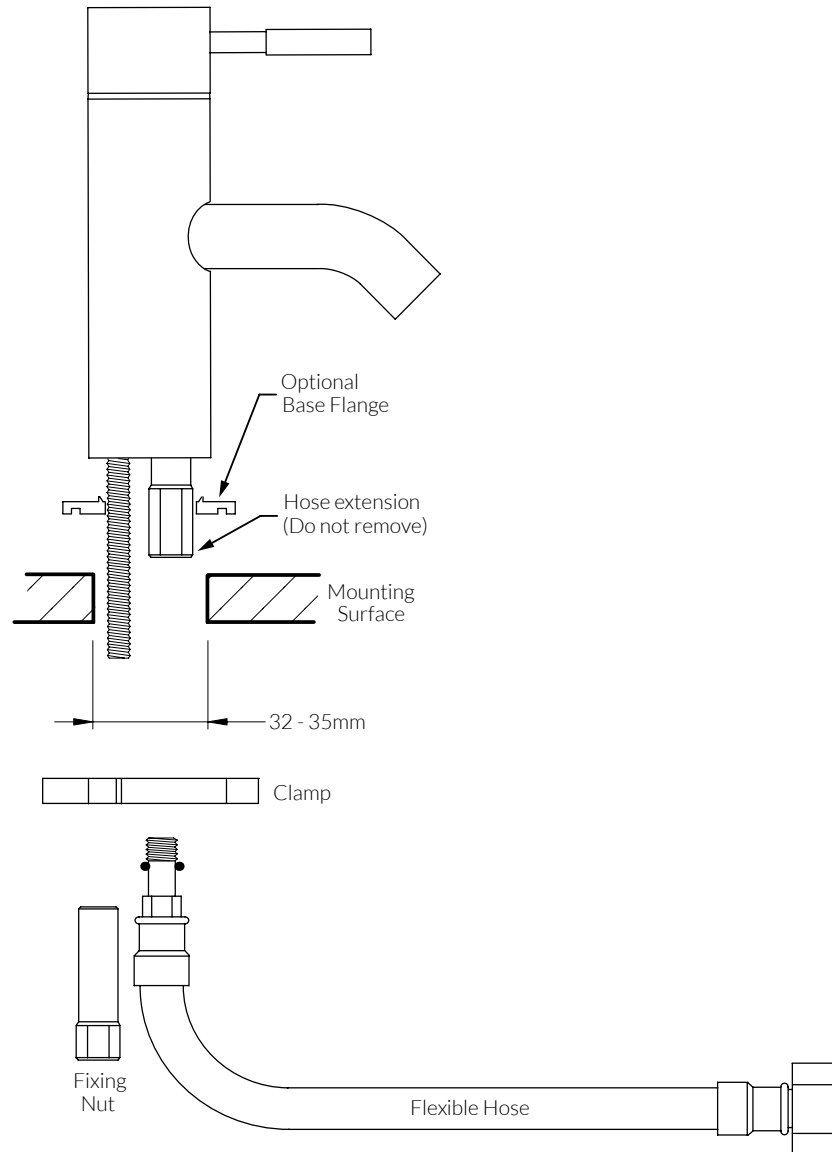


Voda Basin mixer

SUSSEX



Product code

VBM	Basin mixer	VMBM	Medium basin mixer 90mm outlet
VEBM	Extended basin mixer 90mm outlet	VMBM120	Medium basin mixer 120mm
VEBM120	Extended basin mixer 120mm outlet	VBMS	Basin mixer 316 S/S

Installation guidelines

- The Mixer is supplied assembled, only the Fixing nut and the Brass Clamp need to be removed.
- Decide if the Optional Base Flange is to be used.
- If using the Optional Base Flange discard the smaller Base O Ring.
- Add the base Flange to base of Mixer and attach the Flexible Hoses to the Mixer Hose extensions.
- In some cases the Flexible Hoses may need to be fed through from under the mounting surface and then attach.
- Once the Flexible Hoses have been secured, lower the Mixer onto the mounting surface.
- Working from underneath the mounting surface fit Clamp and Fixing Nut.
- Before fully securing the Mixer ensure that the Base O Ring is intact and the Mixer is centered over the mounting surface hole.
- The Mixer mounting surface must be completely water-tight.
- Connect the Hot and Cold Flexible hoses to the corresponding 1/2" BSP water feed lines.
- The 1/2" connection of the Flexible hoses have a conical seal, ensure the mating threads are cut square and burr free.
- Isolating stop valves are recommended with all installations (not supplied).
- Ensure all fittings and connections are water-tight.

Note: Optional Base Flange must be used when the clearance hole for mounting the Mixer exceeds 35mm. If the mounting hole clearance exceeds 45 mm a custom made Base flange will be required.

Plumber note

- On-site testing using higher water pressures must be conducted with the Mixer in the closed position. (STATIC TEST)
- Under no circumstances is the Mixer to be opened when exceeding the maximum stated water pressure.
- At the completion of testing, do not relieve any high water pressure by operating the Mixer.
- Exposing the internals of the Mixer Cartridge to higher than specified water pressures will void the manufacturers warranty.

