

Pure Basin Top Assemblies

SUSSEX

Product codes:

MPBTA.01

Install Preparation:

NOTE: Basin Bodies are not supplied.

- Remove original Tapware, Spindles and Basin Body locknuts from the Top surface.
- Clean all mating surfaces.
- It is recommended to use a reseating tool to dress the seat of the Basin Body to ensure the Spindles have a flat surface to seal.
- The Basin Bodies must be set 8-9mm below the top surface. (See Fig.1)

Spindle Install:

- Carefully unpack the Tapware; note some parts have been combined for packaging purposes.
- Separate all parts as shown. (See Fig.1)
- Install the Spindle hand-tight until the seal of the Spindle firmly makes contact with the seat.
- Using an appropriate spanner tighten the Spindle another 1/8th of a turn. Do not over-tighten.

Note; over-tightening the Spindles could damage the ceramic discs and in turn, void the manufacturer's warranty.

- Place the Fibre Washer over the seated Spindle and fit the Spindle Locknut. (Tighten well). (See Fig.1)
- Fit the Spindle Lock Flanges to secure the assembly to the mounting surface. (See Fig.2)
- Ensure the distance from the Top surface to end of Spindle is 22mm (as shown). Adjust if necessary. (See Fig.2)

Handle Install (See Fig.2):

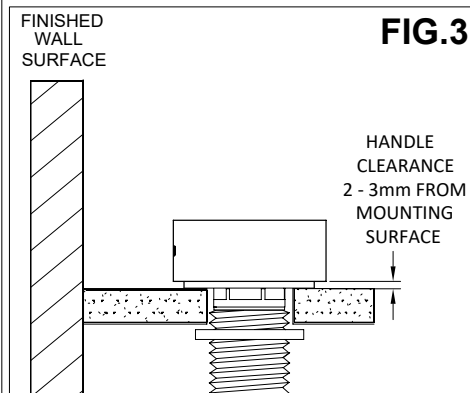
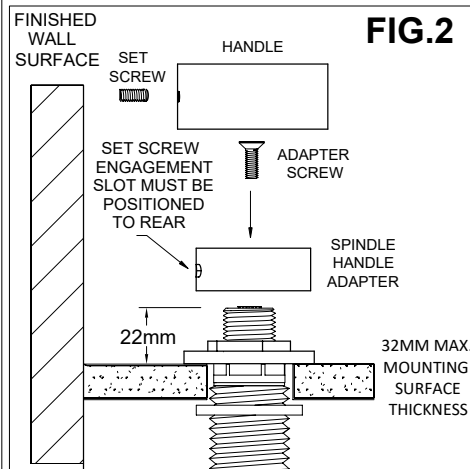
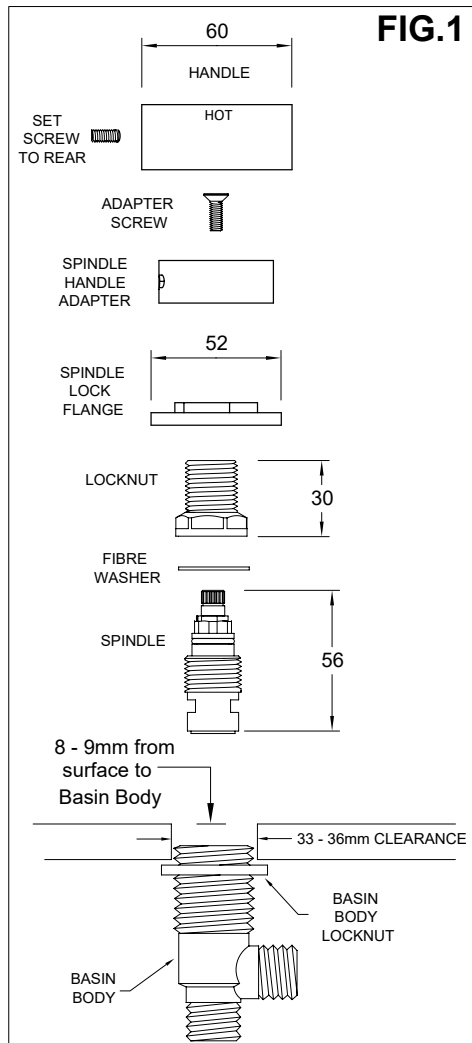
- Attach the Spindle Handle Adapter and ensure the Set screw engagement slot is positioned to the rear.
- Fit and tighten the Adapter Screw to secure the Spindle Handle Adapter.
- Attach Handle to Spindle Handle Adapter.
- Align the Handle so that the Set Screw locates into the engagement slot at the rear.
- Fine tune the Handle position and then tighten the Set Screw using a 2.5mm Allen Key. (Tighten well)
- Note; the Handle should have 2-3mm clearance from the mounting Surface. (See Fig.3)

- After completing the installation, establish water supply, check function of Tapware and ensure no water leaks.

Plumbers note:

Tapware is to be installed by a Licensed Plumber in accordance with AS/NZS 3500:2021
Recommended working water pressure 300 - 500 Kpa. Maximum water temperature is 65°C
After installation, ensure that tapware functions correctly without leaks.

Please ensure a copy of the Installation Instructions are left with the end user for future reference.



www.reece.com.au



While we aim to ensure the specifications shown are correct at time of printing, Sussex Taps reserves the right to make modifications without prior notice. Always use the physical product for accurate measurements. Dimensions are subject to change without notice. All measurements are shown in millimetres. This product complies with lead free requirements.

Copyright © Sussex Taps