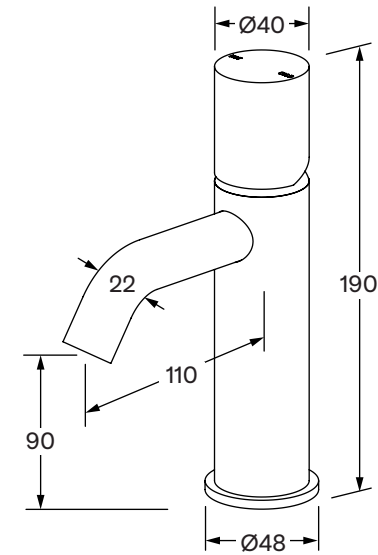


Pure Basin Mixer Curved

SUSSEX



Product code

MPBMC.01
MPBMC.01-C (Cirque)
MPBMC.01-D (Diamond)
MPBMC.01-L (Linear)

Product features

- Designed and manufactured in Australia
- All brass construction
- Unique handle options
- Available in a range of high quality, durable finishes inc. LUXPVD®
- Minimal, refined design to complement any contemporary space
- Matching tapware, showers and accessories

Warranty

40 Year overall warranty.
Refer to Warranty sheet for specific information.

Pressure rating

300 - 500kPa

Temperature rating

1 - 65°C

WELS rating

5 star - 5.0 lt/min



www.reece.com.au

This product complies with lead free requirements
While we aim to ensure the specifications shown are correct at time of printing, Sussex Taps reserves the right to make modifications without prior notice. Always use the physical product for accurate measurements. Dimensions are subject to change without notice. All measurements are shown in millimetres.
Copyright © Sussex Taps