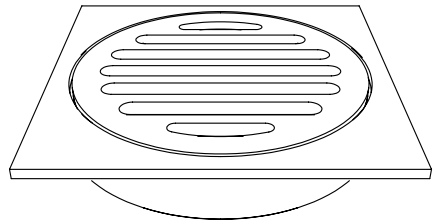
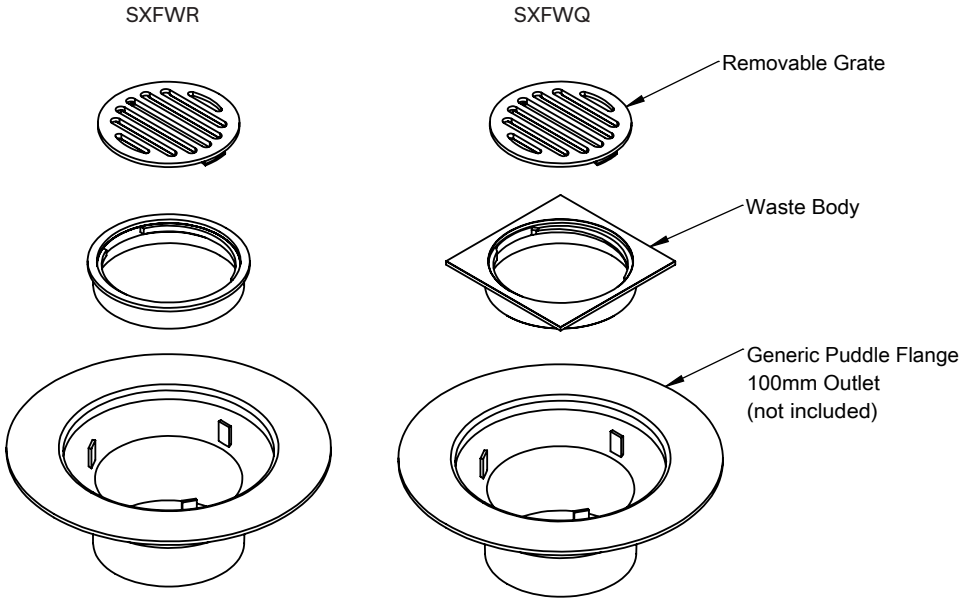


Floor Waste Round  
SXFWR

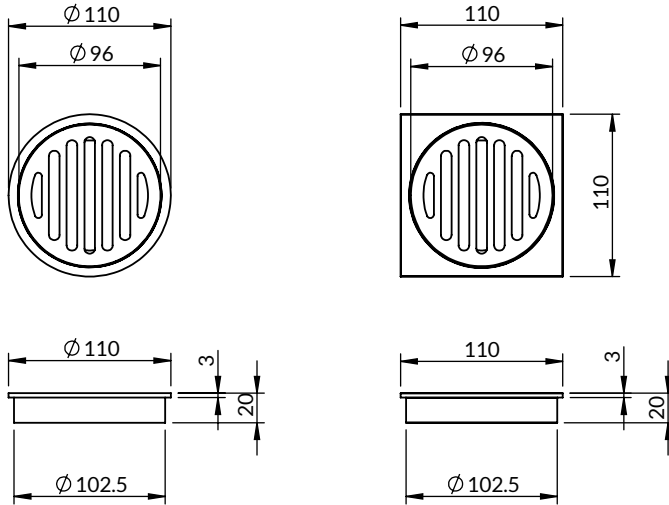


Floor Waste Square  
SXFWS

## Product parts

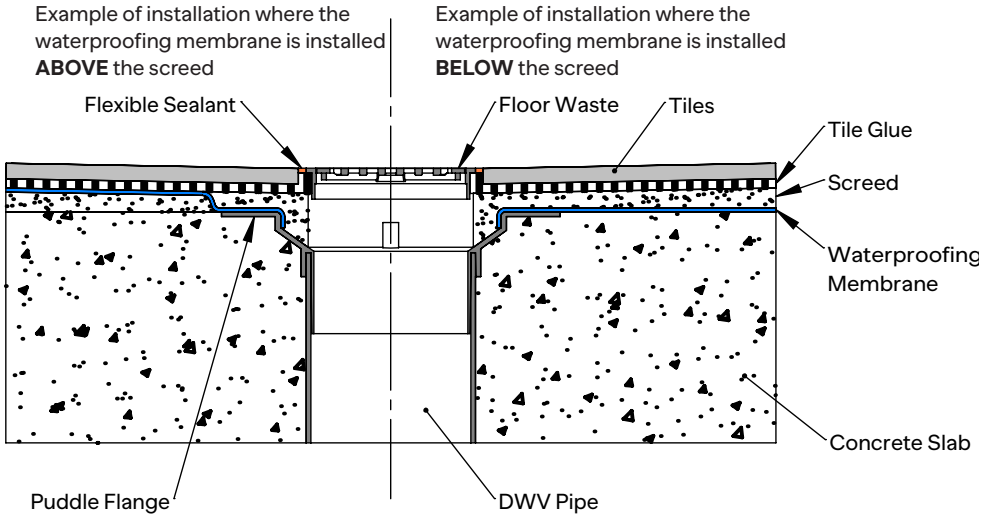


## Product dimensions

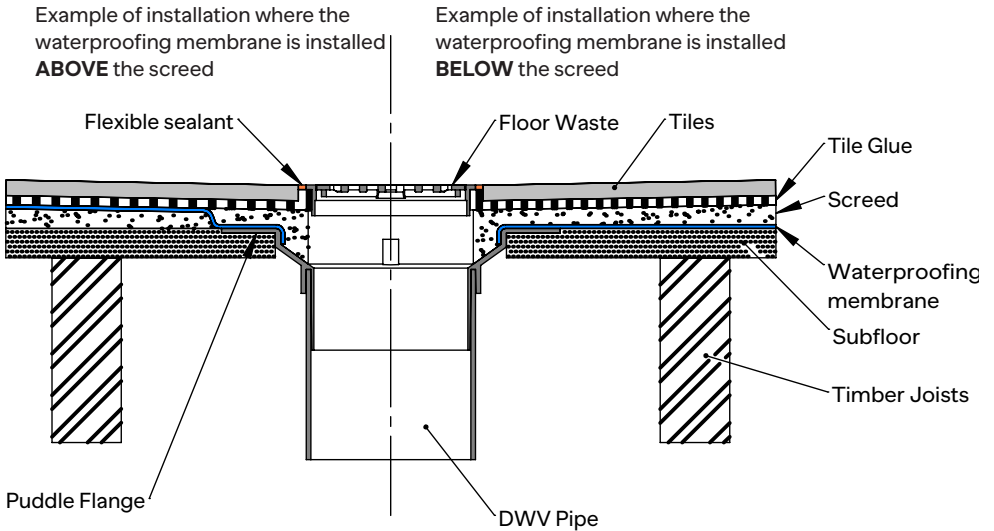


## Installation Guide

### - Concrete Floor



### - Timber Floor



### Plumber Note:

This product must be installed by a licensed tradesperson. Waterproofing as per requirements in AS3740. Preparation and installation of shower or bathroom floor as per AS3500 and tiling as per AS3958.

Puddle flange shall be recessed into the substrate. The maximum thickness of the tile plus adhesive shall not exceed the tile insert's internal depth. Cut the tile to be inserted approximately 5mm smaller than the inside dimension of tile insert. Flexible sealant should be used between the waste body and surrounding tiles.

This floor waste does not form part of the waterproofing system. Failure to comply with Building Code of Australia (BCA) and relevant Australian Standards will void the warranty.

## **Cleaning & Maintenance**

- Using a soft cloth or dampened sponge, gently clean with soapy water or a mild detergent.
- Rinse with clean water and towel dry.
- The strainer should be cleaned periodically to remove any hair or dirt that may have collected.

## **Caution !**

- Do not use any chemical or abrasive cleaners eg. ammonia or bleach.
- Protect against exposure to tile or grout cleaners.
- Do not use an abrasive cleaner eg. Ajax or Jiff.
- Avoid using a scrubbing brush or scourer to clean.

## **Disclaimer**

While we aim to ensure the specifications shown are correct at time of printing, Sussex Taps reserves the right to make modifications without prior notice.

Always use the physical product for accurate measurements. Dimensions are subject to change without notice. All measurements are shown in millimetres. Please allow for a normal manufacturing tolerance of any dimension.

Copyright © Sussex Taps