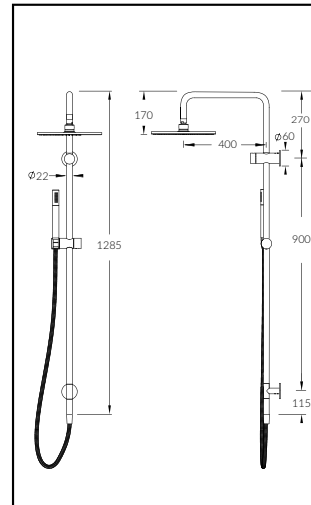
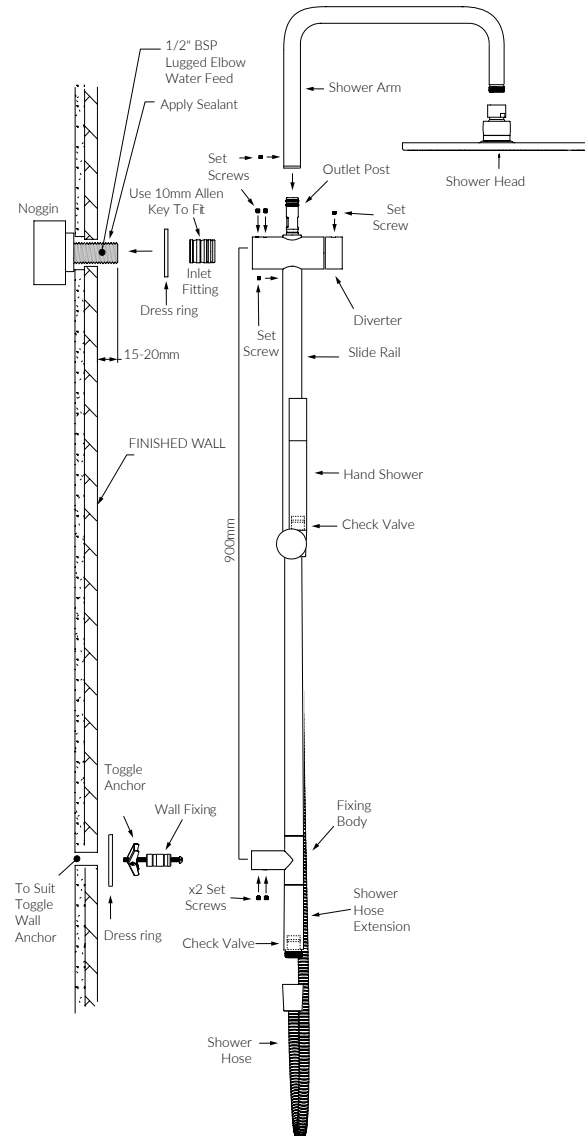


# Suba Twin rail shower

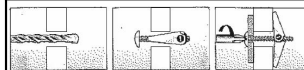
# SUSSEX



### Spring Toggle Wall Anchor

- For fixing into hollow wall materials such as plasterboard, hardboard, plywood, cement sheeting, hollow block, etc.
- Applications: Towel rails, shelving, cupboards, wall lights, etc.
- MUST HAVE A CLEAR AIR SPACE BEHIND THE MATERIAL BEING FASTENED TO.

### INSTALLATION INSTRUCTIONS



1. Drill a 14mm diameter hole through the material to which the Spring Toggle is being fastened to.
2. Pass the screw through the fixture into toggle for a few turns. Compress the toggle wings and insert the anchor into the hole. The wings will spread behind the cavity wall.
3. Pull back on the fixture to hold the toggle in place against the reverse side of cavity wall and tighten screw with a screwdriver, pulling the wings of the anchor firm against the cavity wall.

RECOMMENDED MAX LOAD 10KG IN 10MM PLASTERBOARD.

### Product code

BTRS Twin rail shower

### Installation guidelines

- The Rail is supplied part assembled to suit a Bottom Water Inlet installation. FOR BOTTOM WATER INLET INSTALLATION SEE FOLLOWING PAGE.
- Remove Inlet Fitting and Wall Fixing by loosening the Set Screws.
- Accurately mark out and drill for the Wall Fixing 900mm from centre of Water Feed (see Spring Toggle Wall Anchor guide).
- Ensure the wall penetration is sealed prior to connecting any fittings.
- Apply thread tape or appropriate sealant to Water Feed Thread and attach Inlet Fitting using 10mm Allen key.
- Using the provided Spring Toggle Anchor attach the Wall Fixing.
- Fit the Rail Shower as assembled onto the Wall Fixing and Inlet Fitting, secure by tightening the Set Screws (tighten well).
- Align and fit the Shower Arm.
- Secure Shower Arm by tightening Set Screws.
- Attach Shower Head, tighten using spanner.
- Test function and water flow on both Shower Head and Hand Shower.
- Check for water leaks.

### Plumber note

- On-site testing using higher water pressures must be conducted with the Mixer in the closed position. (STATIC TEST)
- Under no circumstances is the Mixer to be opened when exceeding the maximum stated water pressure.
- At the completion of testing, do not relieve any high water pressure by operating the Mixer.
- Exposing the internals of the Mixer Cartridge to higher than specified water pressures will void the manufacturers warranty.



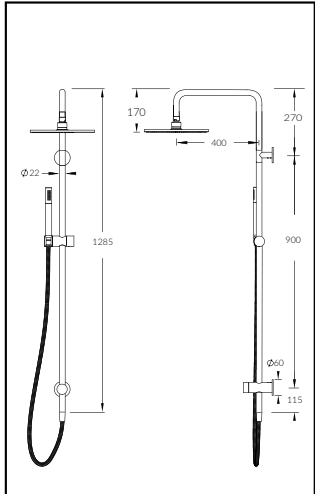
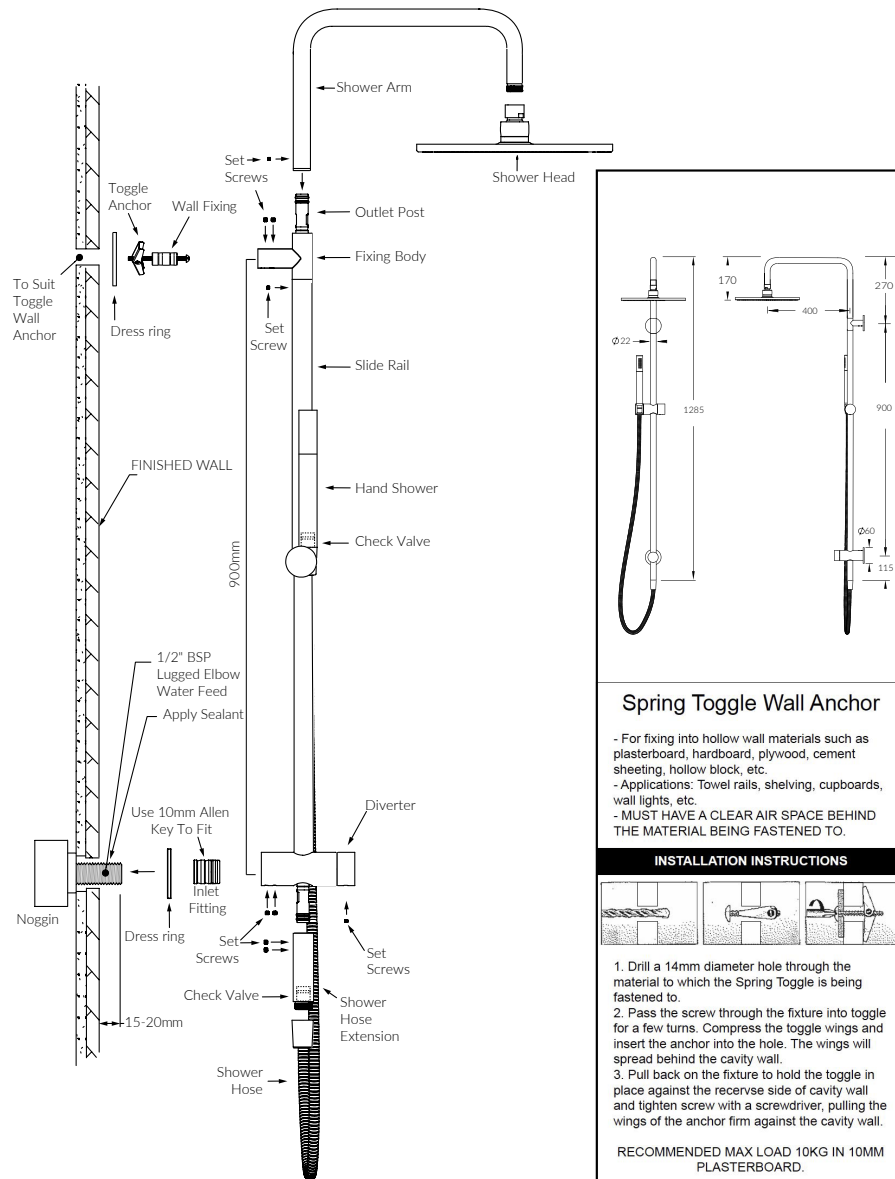
AS/NZS 3718:2005  
LIC. 20081

This shower is suitable for High Pressure applications. This shower may not be suitable for use with Gravity-fed water heaters, low and unequal pressure supply networks, instantaneous water heaters, tempering valves and thermostatic mixer valves. Note: A flow controller has been incorporated within this shower head, care is to be taken during installation not to damage the flow controller when fitting any male connectors.

Tapware is to be installed by a Licensed Plumber in accordance with AS/NZS 3500 Recommended working water pressure 300-500 kpa. Maximum water temperature is 65 deg.c Copyright © Sussex Taps.

# Suba Twin rail shower

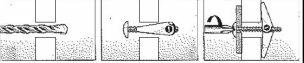
SUSSEX



### Spring Toggle Wall Anchor

- For fixing into hollow wall materials such as plasterboard, hardboard, plywood, cement sheeting, hollow block, etc.  
 - Applications: Towel rails, shelving, cupboards, wall lights, etc.  
 - MUST HAVE A CLEAR AIR SPACE BEHIND THE MATERIAL BEING FASTENED TO.

### INSTALLATION INSTRUCTIONS



1. Drill a 14mm diameter hole through the material to which the Spring Toggle is being fastened to.
2. Pass the screw through the fixture into toggle for a few turns. Compress the toggle wings and insert the anchor into the hole. The wings will spread behind the cavity wall.
3. Pull back on the fixture to hold the toggle in place against the reverse side of cavity wall and tighten screw with a screwdriver, pulling the wings of the anchor firm against the cavity wall.

RECOMMENDED MAX LOAD 10KG IN 10MM PLASTERBOARD.

### Product code

### Installation guidelines

- To change the Water Inlet position, the Diverter, Fixing Body and Shower Hose Extension will need to be disassembled (See following page).
- No additional component will be required.

### Plumber note

- On-site testing using higher water pressures must be conducted with the Mixer in the closed position. (STATIC TEST)
- Under no circumstances is the Mixer to be opened when exceeding the maximum stated water pressure.
- At the completion of testing, do not relieve any high water pressure by operating the Mixer.
- Exposing the internals of the Mixer Cartridge to higher than specified water pressures will void the manufacturers warranty.



AS/NZS 3718:2005  
LIC. 20081



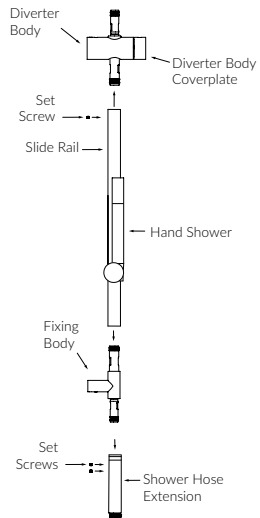
This shower is suitable for High Pressure applications. This shower may not be suitable for use with Gravity-fed water heaters, low and unequal pressure supply networks, instantaneous water heaters, tempering valves and thermostatic mixer valves.  
 Note: A flow controller has been incorporated within this shower head, care is to be taken during installation not to damage the flow controller when fitting any male connectors.

Tapware is to be installed by a Licensed Plumber in accordance with AS/NZS 3500  
 Recommended working water pressure 300-500 kpa. Maximum water temperature is 65 deg.c  
 Copyright © Sussex Taps.

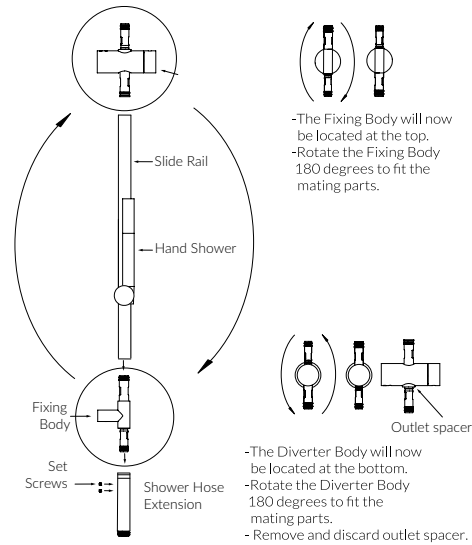
# Suba Twin rail shower

SUSSEX

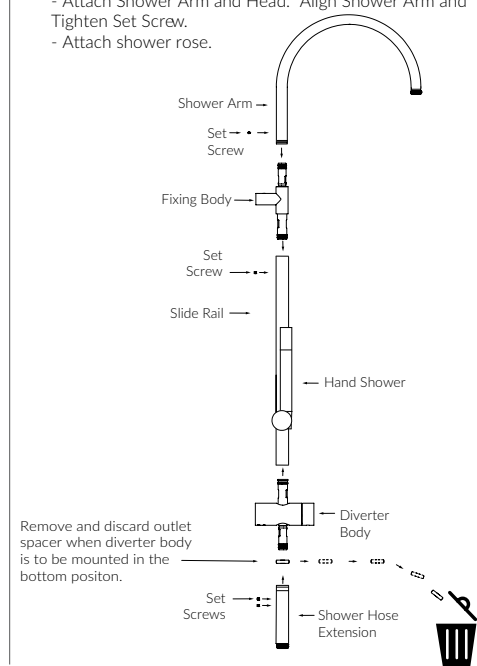
- 1.** - Remove Diverter and Fixing Body by loosening Set Screw.



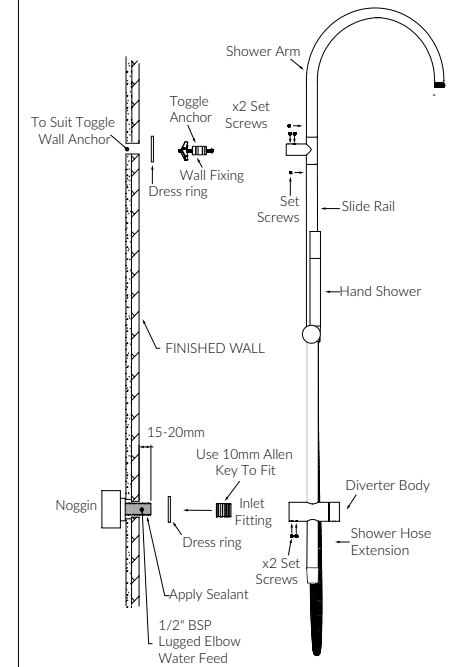
- 2.** - Swap the Diverter Body and Fixing Body positions.  
- Diverter body will now be located at the bottom.  
- Fixing body will now be located at the top.



- 3.** - Re-attach the Fixing Body and the Diverter Body to Slide rail. Tighten Set Screw.  
- Re-attach Shower Hose Extension. Tighten Set Screws.  
- Attach Shower Arm and Head. Align Shower Arm and Tighten Set Screw.  
- Attach shower rose.



- 4.** - Proceed with installation fit off (see page 1)



This shower is suitable for High Pressure applications. This shower may not be suitable for use with Gravity-fed water heaters, low and unequal pressure supply networks, instantaneous water heaters, tempering valves and thermostatic mixer valves.  
Note: A flow controller has been incorporated within this shower head, care is to be taken during installation not to damage the flow controller when fitting any male connectors.

Tapware is to be installed by a Licensed Plumber in accordance with AS/NZS 3500  
Recommended working water pressure 300-500 kpa. Maximum water temperature is 65 deg.c  
Copyright © Sussex Taps.