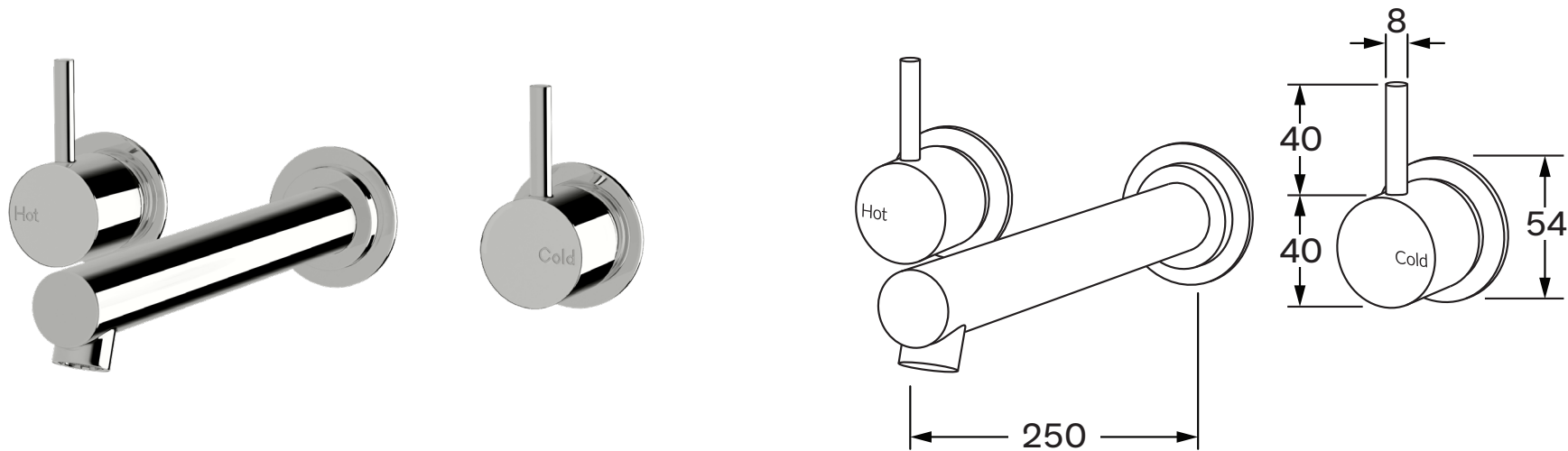


# Scala Straight wall basin set 250mm

# SUSSEX



### Product code

SSWBS250

### Product features

- Designed and manufactured in Australia
- All brass construction
- 1/2 turn ceramic disc spindles
- Retro fitable
- Customisable
- Available in a range of high quality, durable finishes inc. LUXPVD®
- Minimal, refined design to complement any contemporary space
- Matching tapware, showers and accessories

### Warranty

15 Year overall warranty.  
Refer to Warranty sheet for specific information.

### Pressure rating

300 - 500kPa

### Temperature rating

1 - 65°C

### WELS rating

5 star - 5lt/min  
6 star - 3.5lt/min



While we aim to ensure the specifications shown are correct at time of printing, Sussex Taps reserves the right to make modifications without prior notice. Always use the physical product for accurate measurements. Dimensions are subject to change without notice. All measurements are shown in millimetres.

Copyright © Sussex Taps