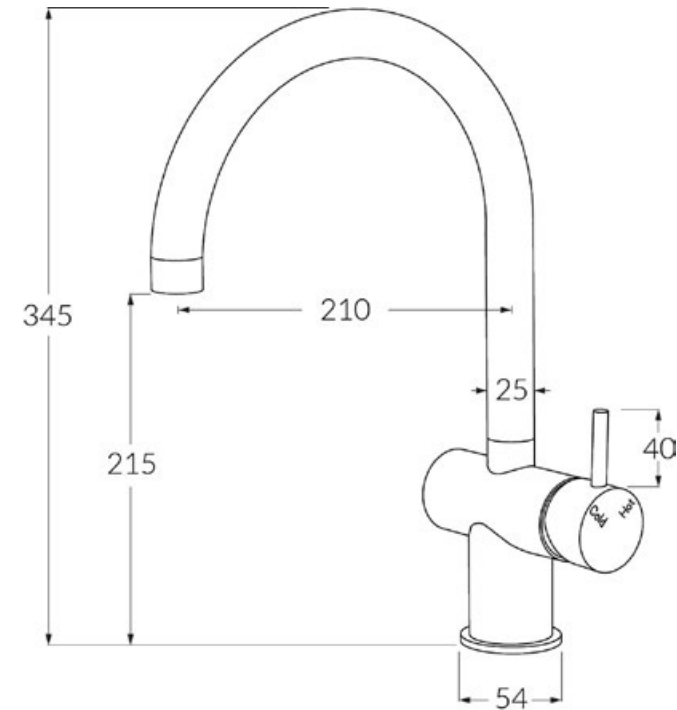


# Scala Sink mixer curved large 316 stainless steel

# SUSSEX



### Product code

SSMCLSSRH

### Product features

- Designed and manufactured in Australia
- 316 marine grade stainless steel
- 35mm ceramic disc cartridge
- Swivel outlet
- Retro fitable
- Customisable
- Minimal, refined design to complement any contemporary space
- Matching tapware, showers and accessories

### Warranty

15 Year overall warranty.  
Refer to Warranty sheet for specific information.

### Pressure rating

300 - 500kPa

### Temperature rating

1 - 65°C

### WELS rating

4 star - 7.5lt/min

