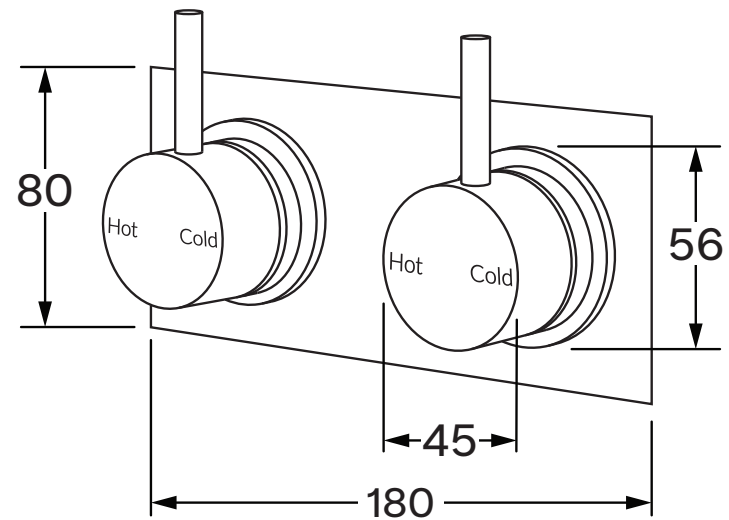
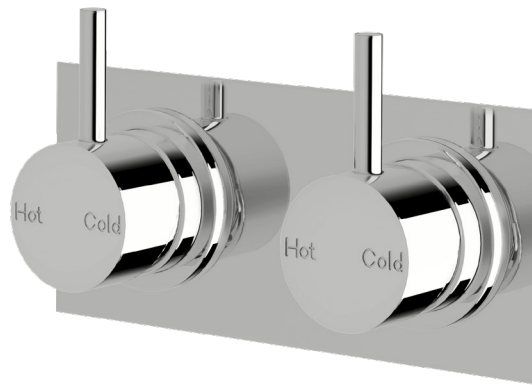


# Scala Dual mixer system

SUSSEX



## Product code

SDMS

## Product features

- Designed and manufactured in Australia
- All brass construction
- 35mm ceramic disc cartridge
- Incorporating Sussex Masterfit
- Available in a range of high quality, durable finishes inc. LUXPVD®
- Minimal, refined design to complement any contemporary space
- Matching tapware, showers and accessories

## Warranty

15 Year overall warranty.  
Refer to Warranty sheet for  
specific information.

## Pressure rating

300 - 500kPa

## Temperature rating

1 - 65°C



AS/NZS 3718:2005  
LIC. 20081