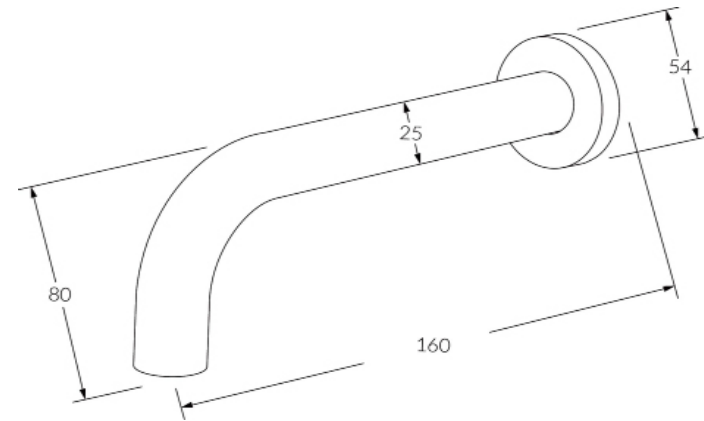


Scala 25 bath outlet curved 160mm 316 stainless steel

SUSSEX



Product code

S25BA160SS

Product features

- Designed and manufactured in Australia
- 316 marine grade stainless steel
- Retro fitable
- Customisable
- Minimal, refined design to complement any contemporary space
- Matching tapware, showers and accessories

Warranty

15 Year overall warranty.
Refer to Warranty sheet for specific information.

Pressure rating

300 - 500kPa

Temperature rating

1 - 65°C

