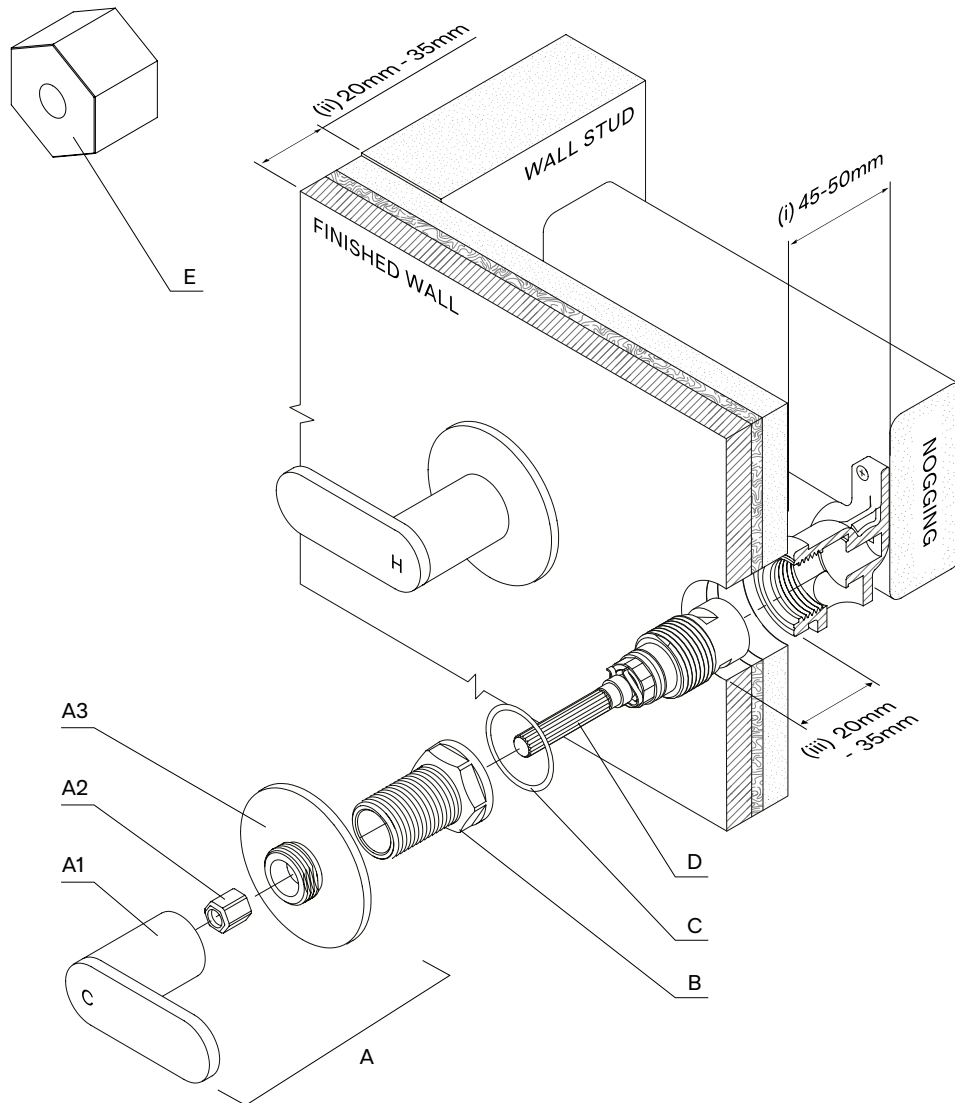


# Duet Wall top assembly

SUSSEX



## Product code

DWTA

## Rough-in Option 1: Installing tapware into a new wall breach

- A standard Plumbing Wall Breach (not supplied) is to be used in conjunction with this Tapware.
- Secure a nogging **45-50mm** (i) back from the front of the stud. Attach the Wall Breach to the nogging.
- Ensure the Breach Tap Seat Bodies are square and parallel between the Wall Studs.
- To fit correctly, the thickness of the finished Wall coverings is calculated between **20mm** and **35mm** (ii)
- The Tap Seat Body of the Breach **MUST** be a minimum of **20mm** and a maximum of **35mm** (iii) back from the finished wall coverings.
- If the wall coverings and Tap Seat Body do not sit within the range specified. Please contact manufacturer.

## Rough-in Option 2: Installing into an existing wall breach

- Remove the old Spindles and clean surrounding area.
- Use a re-seating tool to dress the Seat and ensure the Spindle Seat is clean, flat and free of any debris.
- Ensure the Breach Tap Seat Bodies are square and parallel between the Wall Studs.
- The Tap Seat Body of the Breach **MUST** be a minimum of **20mm** and a maximum of **35mm** (iii) back from the finished wall coverings.
- If the finished wall coverings and Tap Seat Body do not sit within the range specified. Please contact manufacturer.

## Product parts

- (A) Handle Assembly (consisting of A1 - Handle, A2 - Spindle Adapter and A3 - Dress Ring).
- (B) 50mm Locknut.
- (C) Fibre Washer.
- (D) 90mm Spindle.
- (E) Spindle Sizing Gauge

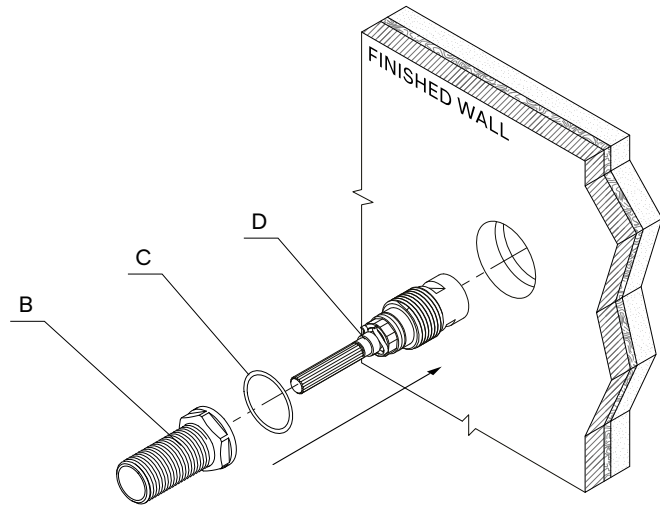
## Plumber note

- Tapware is to be installed by a Licensed Plumber in accordance with AS/NZS 3500:2021
- Recommended working water pressure 300 - 500 Kpa. Maximum water temperature is 65°C
- After installation, ensure that tapware functions correctly without leaks.
- Please ensure a copy of the Installation Instructions are left with the end user for future reference.

# FIT OFF

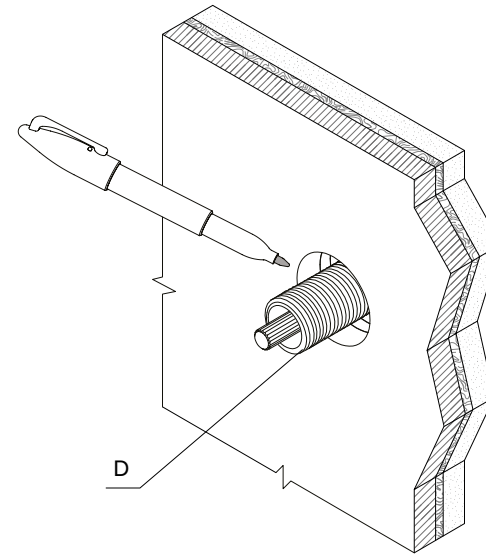
## Step 1

Screw Spindle (D) into the Tap Seat Body by hand until the seat is felt. Tighten with an additional 1/3 turn of a spanner. **DO NOT OVER TIGHTEN.**  
Fit Fibre Washer (C) and screw Locknut (B) onto Spindle (D) for measurement.



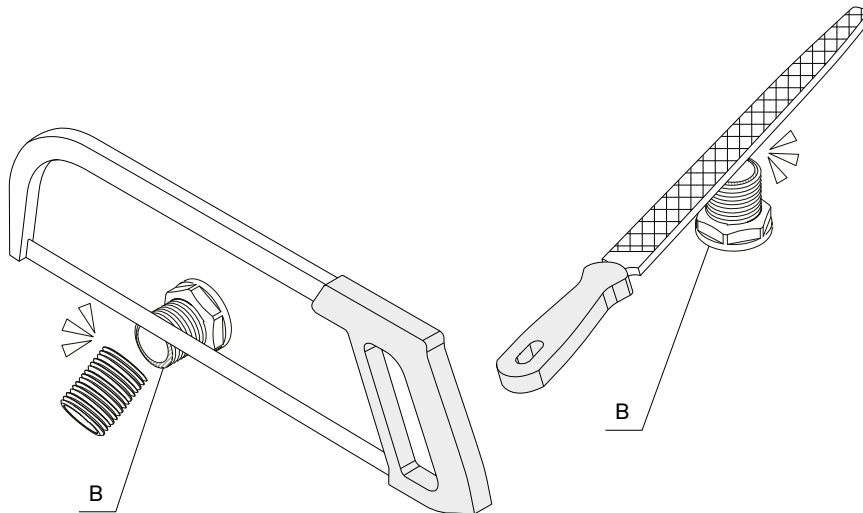
## Step 2

Measure the amount of Locknut (B) protruding from the finished wall and mark the Locknut flush with the wall. Remove Locknut for cutting.



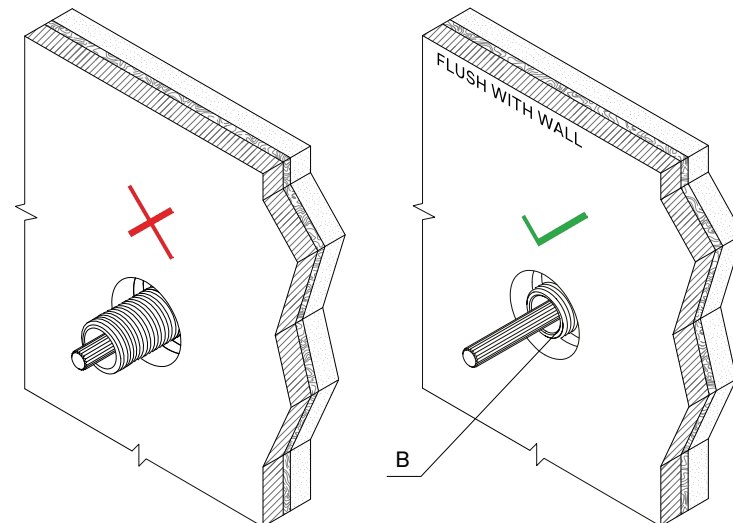
## Step 3

Cut and Deburr Locknut (B). Refit on Spindle (D) with Fibre Washer (C) and tightening well using a tube spanner.



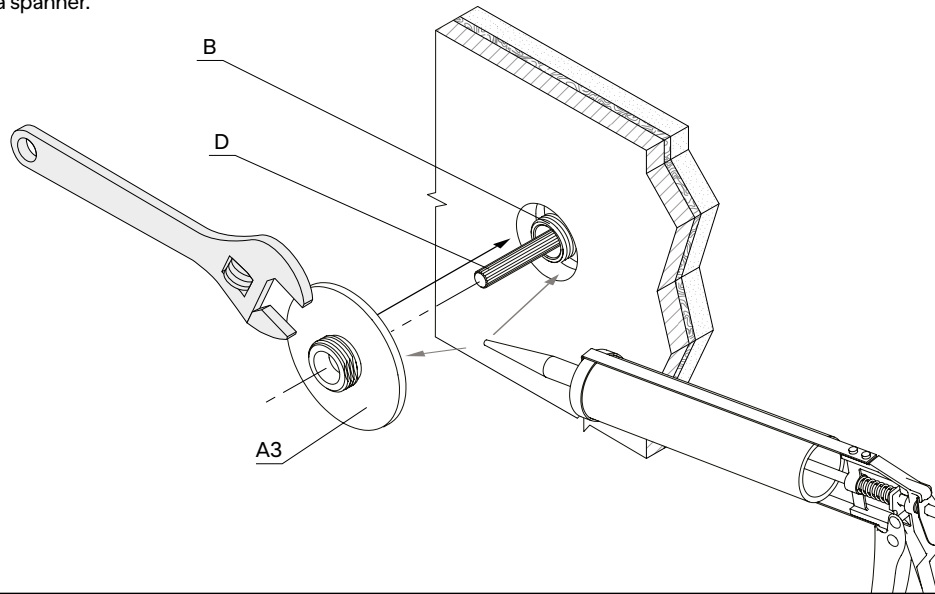
## Step 4

The Locknut (B) must be cut to be flush or slightly behind the finished wall, as per diagram.



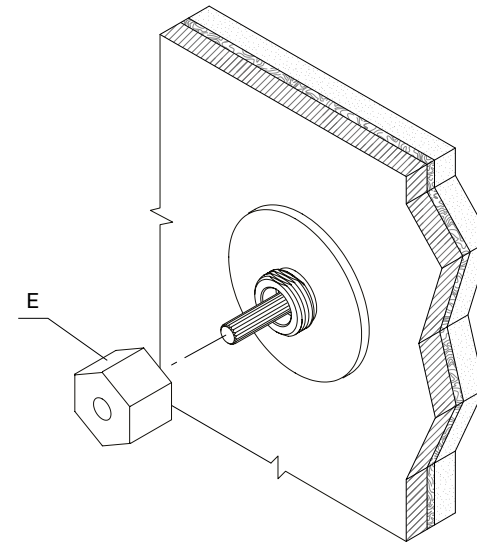
**Step 5**

Seal the wall penetration. Then screw the Dress Ring (A3) onto the Locknut (B) and secure using a spanner.



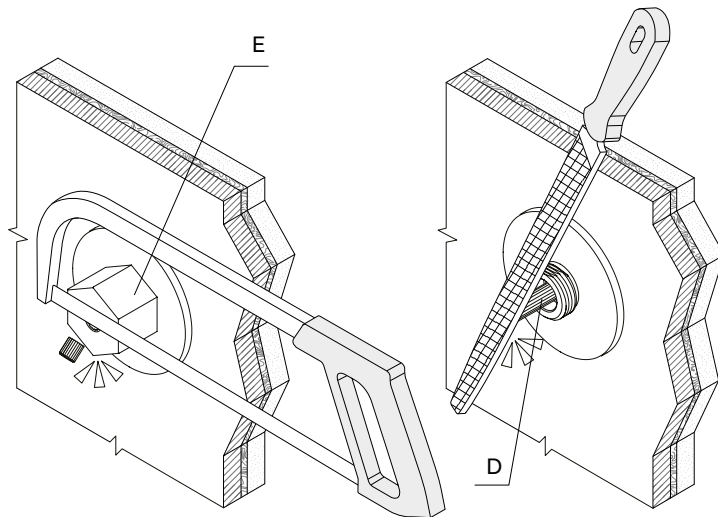
**Step 6**

Thread the provided Spindle Sizing Gauge (E) onto the Dress Ring (A3).



**Step 7**

Cut Spindle (D) against the face of the Sizing Gauge (E). Remove Gauge and deburr the edges to ensure the spindle adapter will fit.

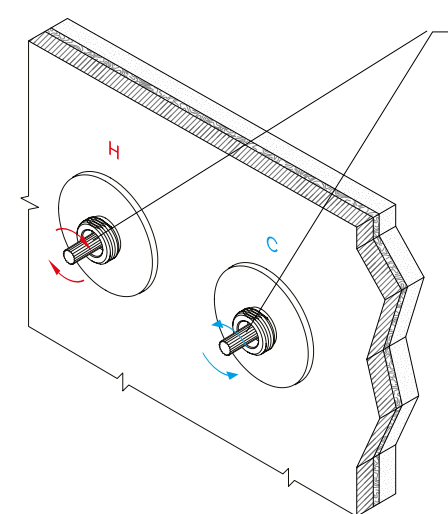


**Step 8**

Ensure both spindles (D) are set to OFF position:

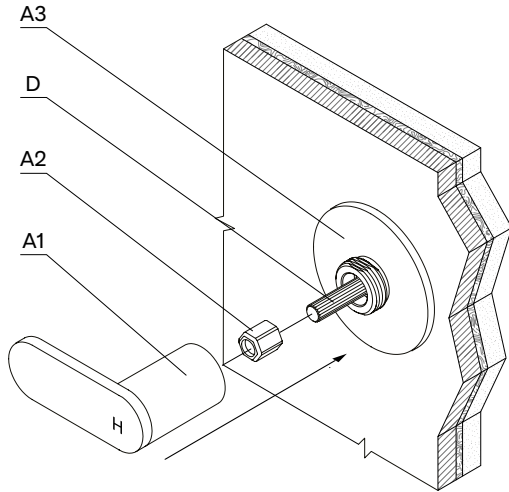
**HOT = FULL TURN CLOCKWISE.**

**COLD = FULL TURN ANTICLOCKWISE.**



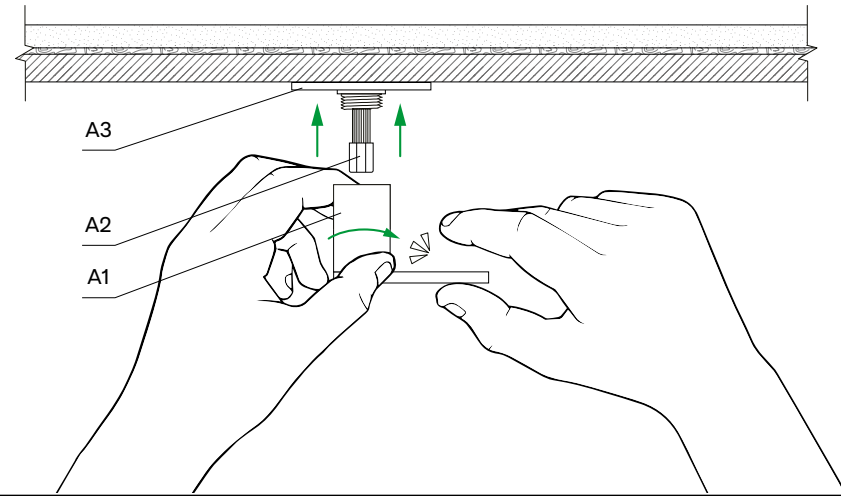
**Step 9**

Fit the Spindle Adapter (A2) onto the end of the spindle (D). Now position and fit the handle (A1) to engage the lever of the handle assembly.



**Step 10**

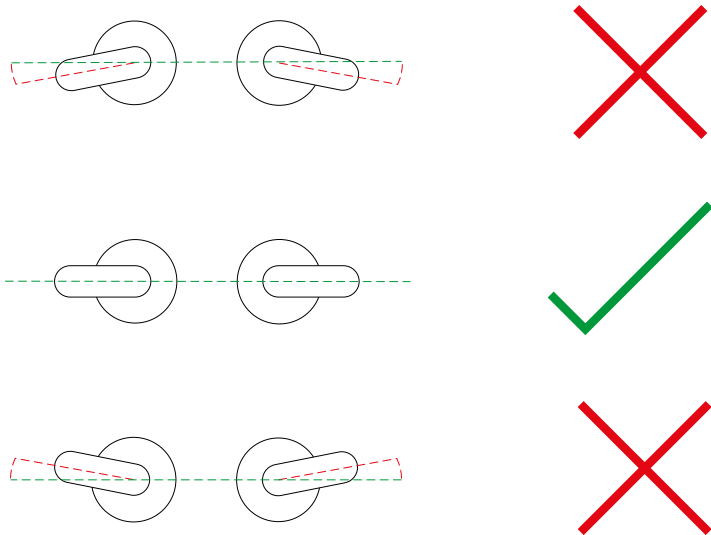
Ensure that the handle (A1) is horizontally aligned (See Handle Alignment from step 11) and tighten by rotating the barrel whilst holding the handle lever. Rotate the barrel until it meets the Dress Ring (A3).



**Fine-tuning Handle Alignment**

**Step 11**

The handle must be affixed as shown with the standard "off" position in horizontal alignment.



**Step 12**

If the handle alignment requires adjustment, remove the Handle (A1) and Spindle Adapter (A2). Rotate (A2) to engage a different position on the spindle and refit. Repeat steps 10 and 12 until you reach alignment.

