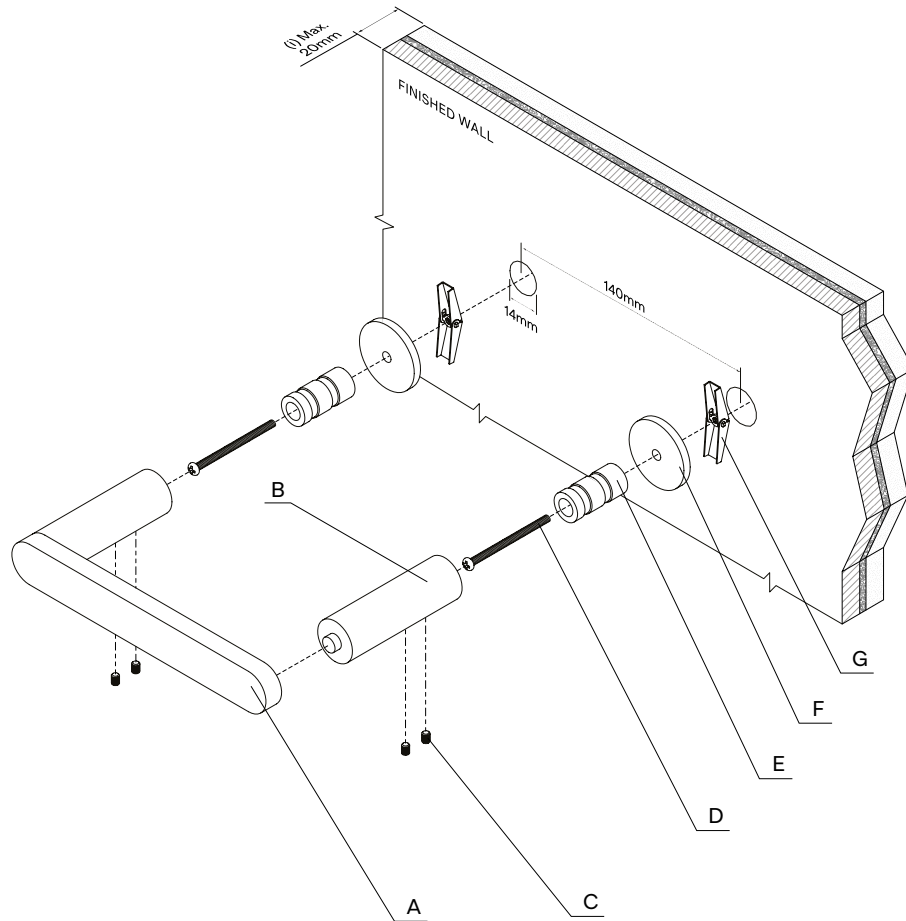


# Duet Toilet Roll Holder

SUSSEX



## Product code

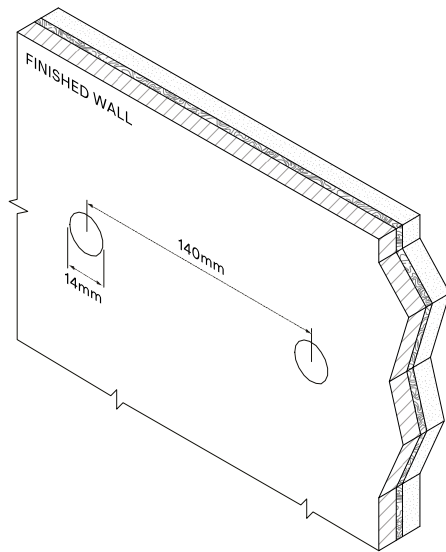
DTRH

## Product parts

- (A) Toilet Roll Rail
- (B) Toilet Roll Latch
- (C) Set Screw
- (D) Bolt
- (E) Wall Fixing
- (F) Dress Ring
- (G) Spring Toggle

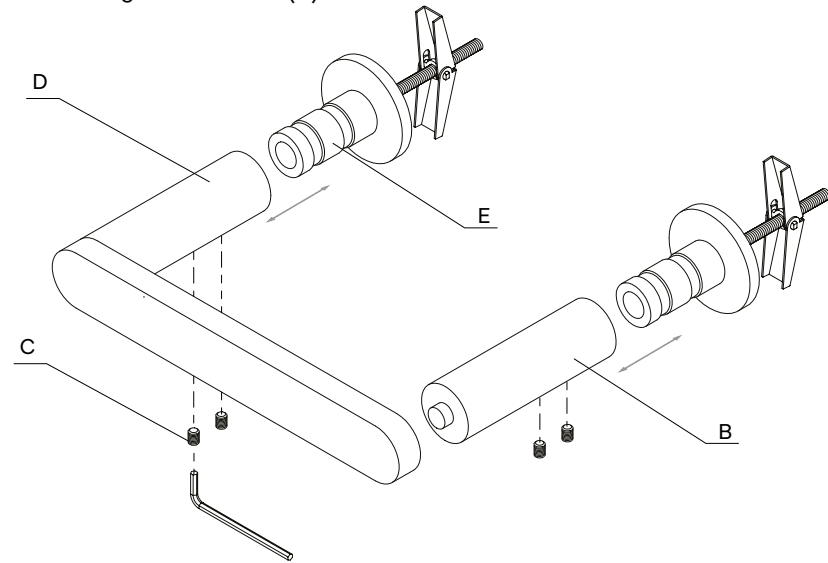
### Step 1

Drill 14mm clearance holes in the wall using the appropriate drill bits. Clearance hole centre distances is 140mm.



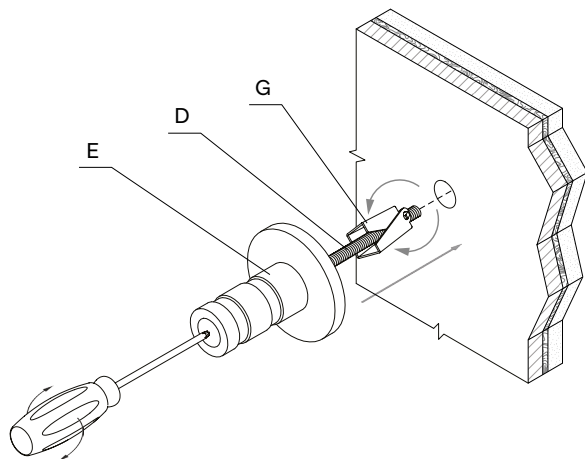
### Step 2

Separate the 2 fixture assemblies from the Toilet Roll Rail (A) and Toilet Roll Latch (B) by unscrewing the Set Screws (C).



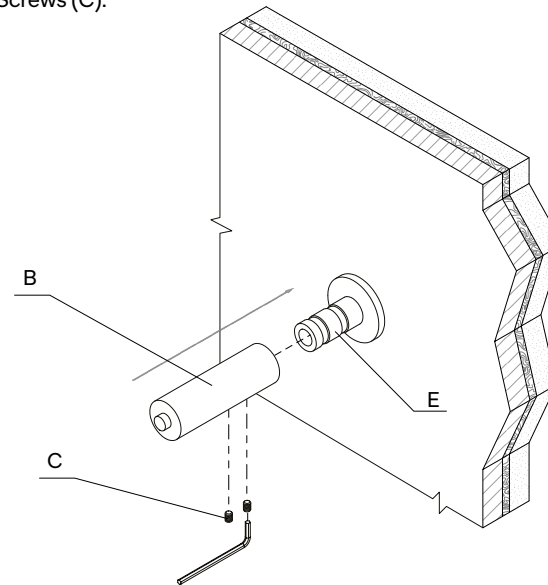
### Step 3

Start with the **Right** fixture:  
Fold the Spring Toggle (G) and push it through the clearance hole.  
Fully tighten the Bolt (D) to secure the Wall Fixing (E) in position.



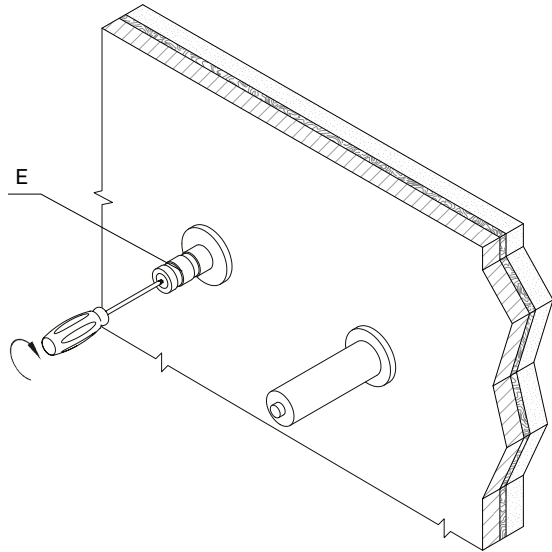
### Step 4

Fit the Toilet Roll Latch (B) over the fully tightened Wall Fixing (E) and secure by tightening the Set Screws (C).



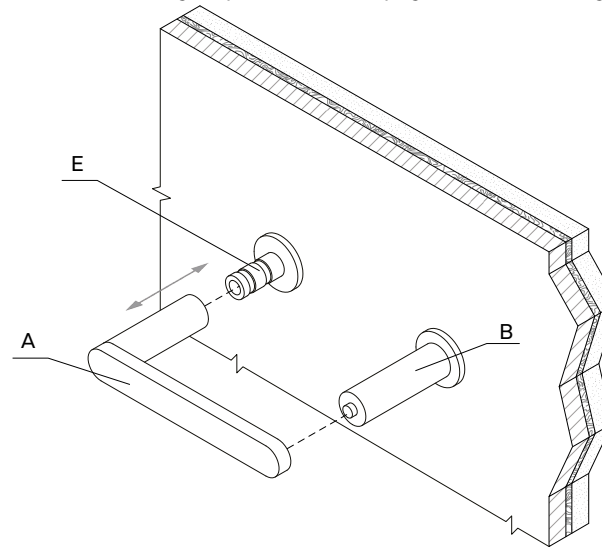
**Step 5**

Repeat step 3 with the Left Fixture assembly (E) but only lightly tighten this wall fixing to allow for fine adjustment.



**Step 6**

- Fit the Toilet Roll Rail (A) over the lightly tightened Wall Fixing (E).
- Connect the Toilet Roll Rail (A) to the Latch (B) allowing the wall fixing to adjust to its position.
- Ensure Rail is level, then gently remove and fully tighten the Wall Fixing (E).



**Step 7**

Fit Toilet Roll Rail (A) onto the Wall Fixing (E) and secure it in place with the Set Screws (C). Tighten well.

