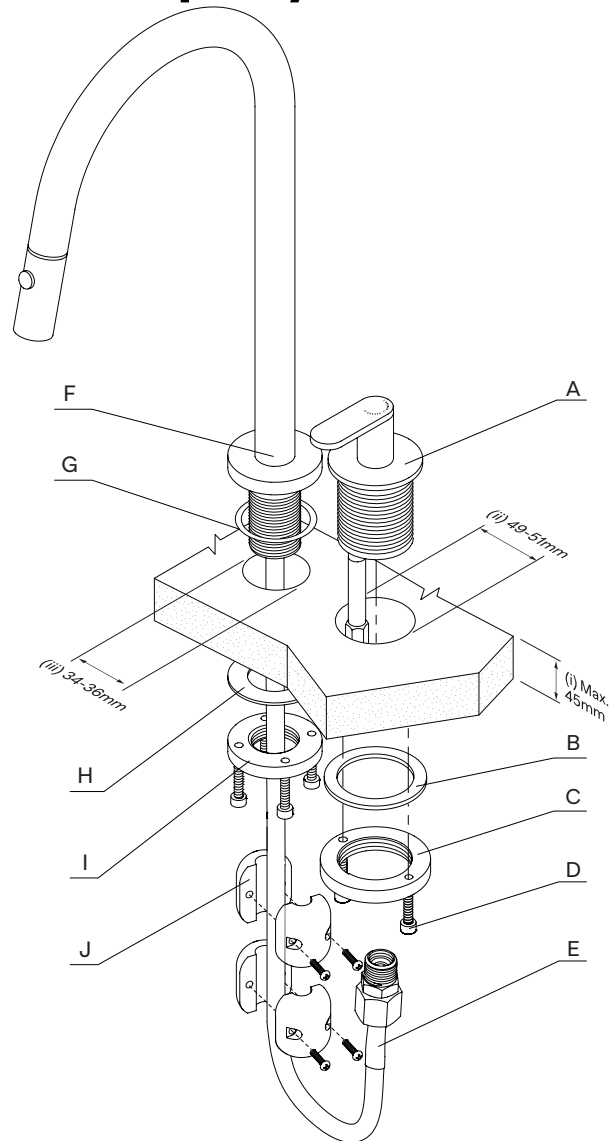


Duet Sink Progressive Mixer Set Pull Out Spray

SUSSEX



Product code

DSPMSPOS

Install Preparation:

- Maximum Mounting Surface thickness is **45mm**. (i)
- Hob Mixer: **49mm - 51mm** Clearance Hole. (ii)
- Outlet: **34mm - 36mm** Clearance Hole. (iii)
- Mounting Surface must be flat and level.
- Prior to installing remove:
 - (B) Hob Clamping Ring
 - (C) Hob Clamping Plate
 - (G) Outlet Clamping Ring
 - (H) Outlet Clamping Plate
 - (I) Outlet Weights

Product parts:

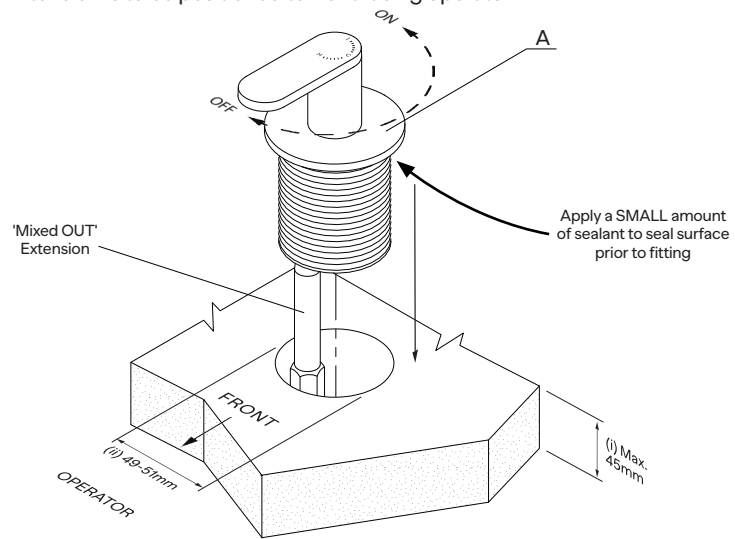
- (A) Hob Mixer
- (B) Hob Clamping Ring
- (C) Hob Clamping Plate
- (D) Fixing Screws
- (E) Outlet Hose
- (F) Outlet
- (G) O-Ring
- (H) Outlet Clamping Ring
- (I) Outlet Clamping Plate
- (J) Outlet Weights

Plumbers note:

- Tapware is to be installed by a Licensed Plumber in accordance with AS/NZS 3500:2021
- Recommended working water pressure 300 - 500 Kpa. Maximum water temperature is 65°C
- After installation, ensure that tapware functions correctly without leaks.
- Please ensure a copy of the Installation Instructions are left with the end user for future reference.

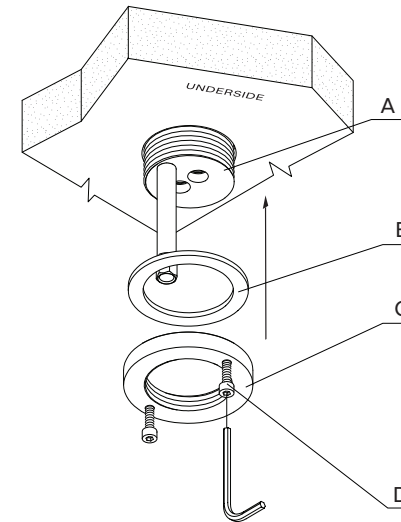
Step 1

Place the Hob Mixer (A) into the clearance hole making sure that the mixer is in the 'OFF' position facing 'FRONT'.
'Mixed OUT' Extension is to be positioned to front facing operator.



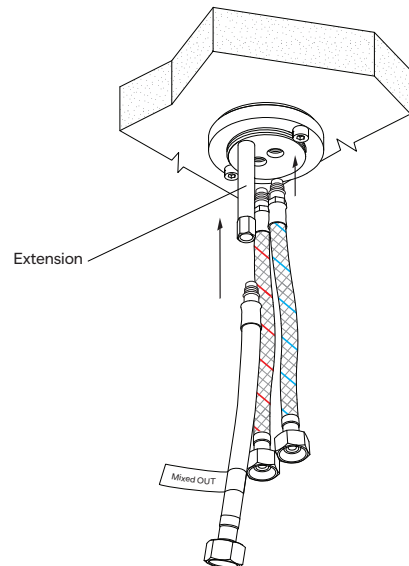
Step 2

Working from underneath, Attach the Clamping Ring (B) to the Hob Mixer (A). Thread the Clamping Plate (C) until it tightens the Ring. Secure the Hob Mixer by tightening the Fixing Screws (D) using a 5mm Allen key- Tighten well.



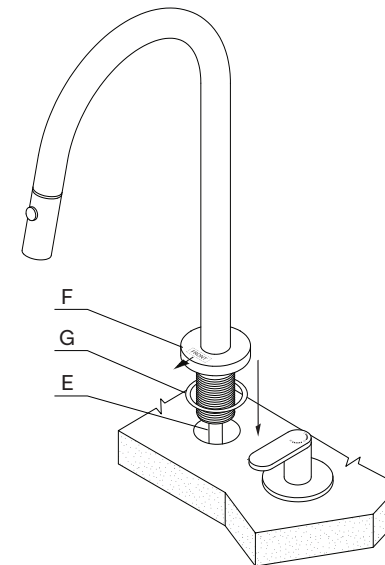
Step 3

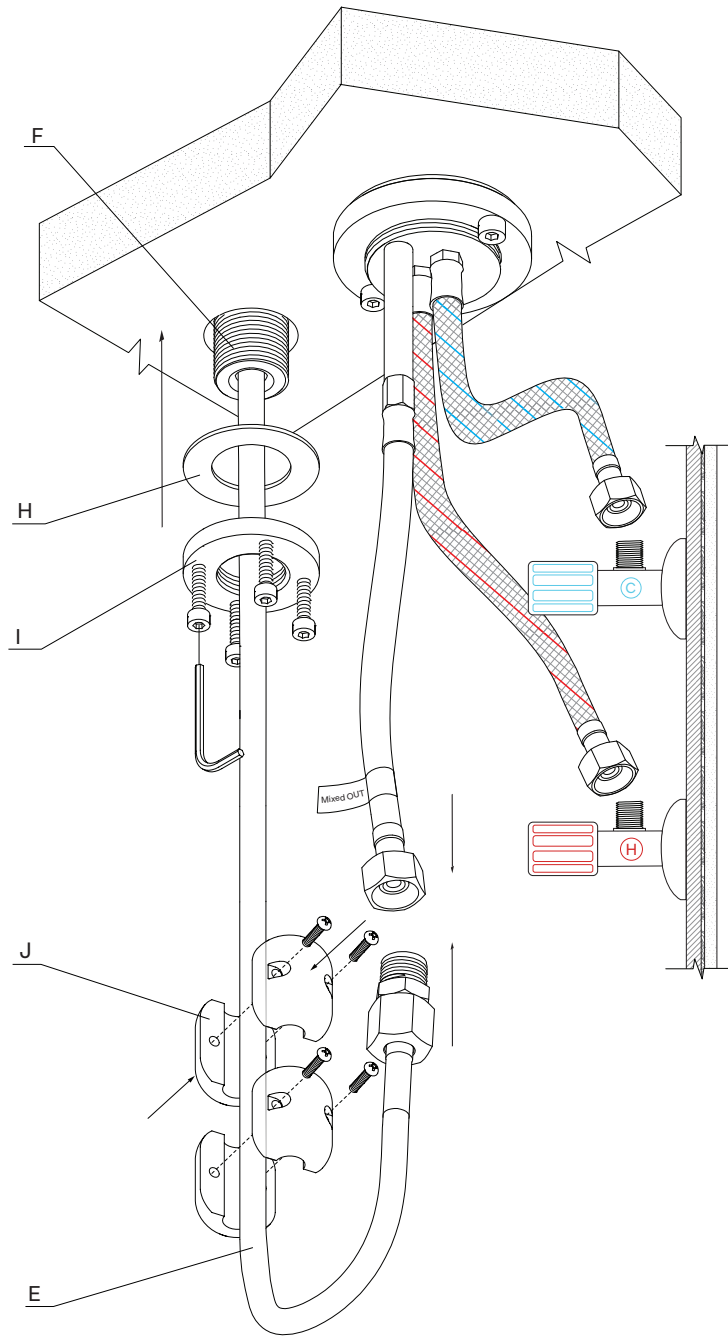
Attach Hot and Cold flexible hoses to the Hob Mixer. Attach the 'Mixed OUT' flexible hose to the 'Mixed OUT' extension of the Hob Mixer.



Step 4

Feed the Outlet Hose (E) through the O-Ring (G) and the Mounting surface, Ensure O-Ring (G) is intact. Note 'FRONT' label, arrange the flange (F) so the 'FRONT' label faces the basin.





Step 5

- Working from underneath, Fit the Clamping Ring (H) to the Outlet (F).
- Thread the Clamping Plate (I) to the outlet (F) until it tightens the Ring.
- Secure the Outlet by tightening the Fixing Screws (D) using a 5mm Allen key- Tighten well.
- Reattach the Outlet Weights (J) onto the Outlet Hose (E) ensure the weights are attached to the vertical section of the hose. The weights must hang and not be resting on any surface.
- Connect 'Mixed OUT' hose to Outlet Hose (E).
- Connect Hot and Cold hoses to the wall fittings.
- Note: Stop cocks are recommended. (not supplied)
- Check outlet pull out function, ensure when operating no obstacles from underneath interfere with the hose travel.
- After all connections are made operate tapware and check for any leaks.