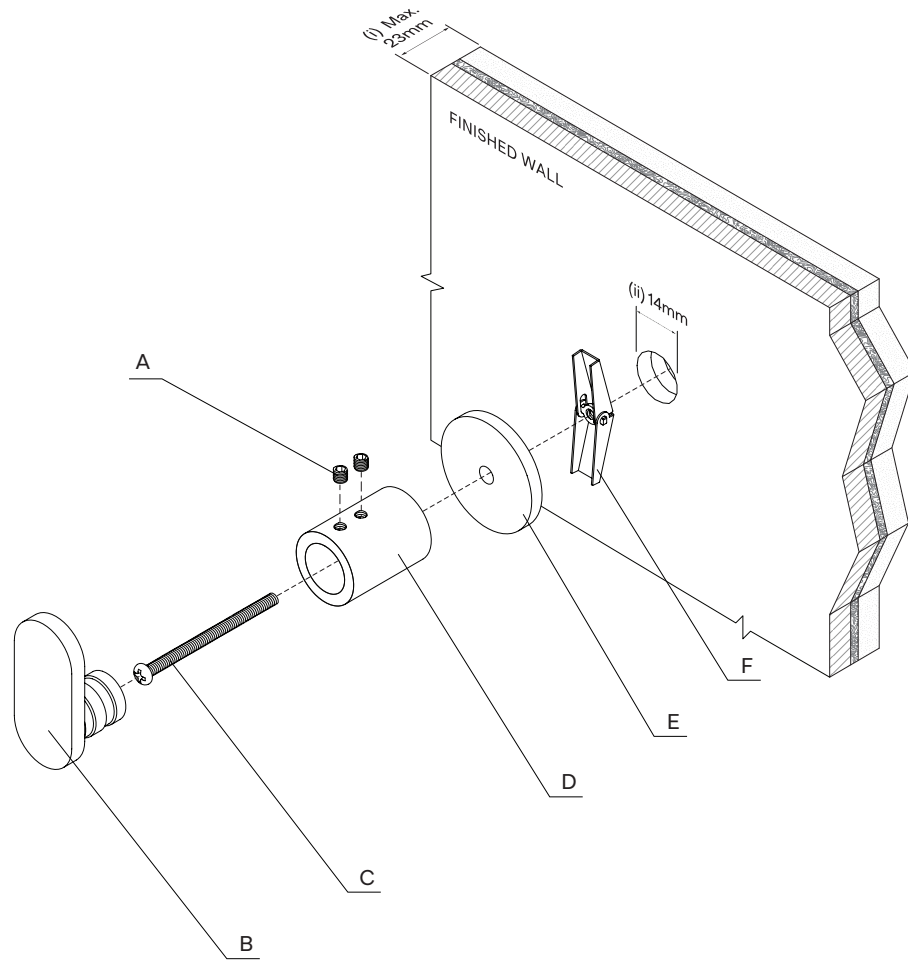


Duet Robe Hook

SUSSEX



Product code

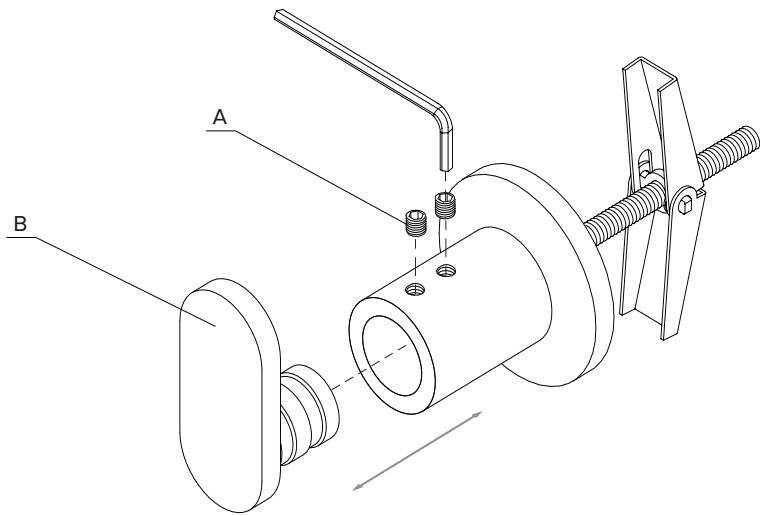
DRH

Product parts

- (A) Set Screw
- (B) Robe Hook
- (C) Bolt
- (D) Robe Hook Body
- (E) Dress Ring
- (F) Spring Toggle

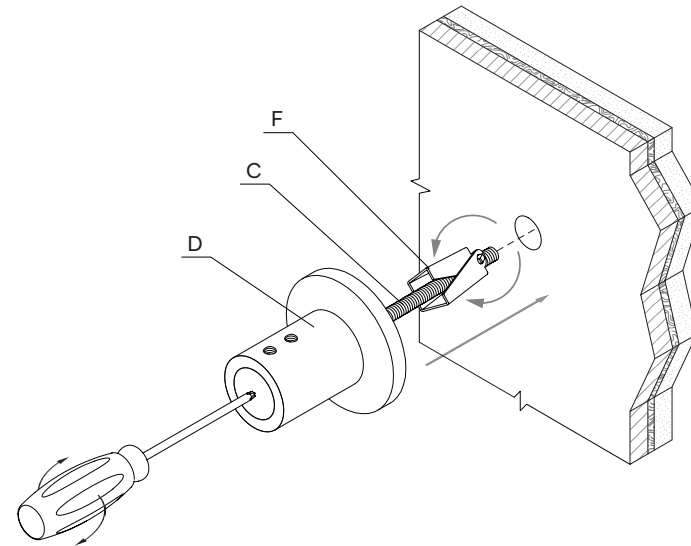
Step 1

Separate Robe Hook (B) from the rest of the assembly by unscrewing the Set Screws (A).



Step 2

Fold the Spring Toggle (F) onto itself and push it through the clearance hole. Tighten Bolt (C) until the Robe Hook Body (D) is securely fixed to the wall. Ensure the holes are facing up.



Step 3

Fit Robe Hook (B) into the Body (D). Tighten the Set Screws (A) using an Allen key. Ensure the Robe Hook (B) is aligned vertically before securing it in place.

