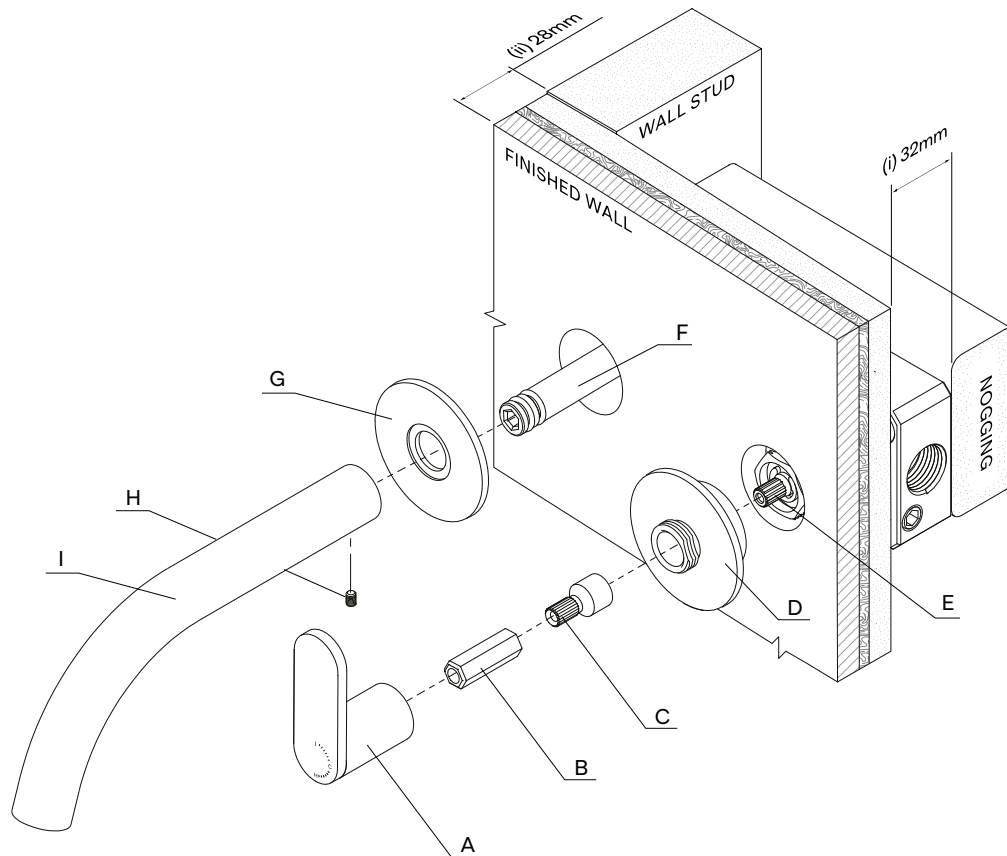


# Duet Progressive Basin/Bath Mixer System

SUSSEX



## Product code

DPBMS165  
DPBMS200  
DPWBS165  
DPWBS200

## Rough-in:

- The In-wall (Body Mixer) is supplied and is to be used in conjunction with this Tapware.
- Secure a nogging **32mm** (i) back from the front of the stud. Attach the Wall Body Mixer to the nogging.
- Ensure the Body Mixer mounted is square and parallel between the Wall Studs.
- For the purpose of the illustration, the thickness of the finished Wall coverings is calculated to be **28mm** (ii)
- See step 1 for rough in configuration.

## Product parts

- (A) Handle
- (B) Spindle Adapter
- (C) Spindle Extension
- (D) Dress Ring
- (E) Spindle
- (F) Supply Post
- (G) Dress Ring (Outlet)
- (H) Set Screw
- (I) Outlet

## Plumber note

- Tapware is to be installed by a Licensed Plumber in accordance with AS/NZS 3500:2021
- Recommended working water pressure 300 - 500 Kpa. Maximum water temperature is 65°C
- After installation, ensure that tapware functions correctly without leaks.
- Please ensure a copy of the Installation Instructions are left with the end user for future reference.

## Pressure testing

On-site high pressure line testing must be conducted with the Mixer in the closed position. (STATIC TEST ONLY)  
Under no circumstances is the Mixer to be opened when exceeding the maximum stated water pressure.  
At the completion of the testing, do not relieve any high pressure by opening the Mixer.  
Exposing the internals of the Mixer Cartridge to higher than specified water pressures, will void the manufacturer's warranty

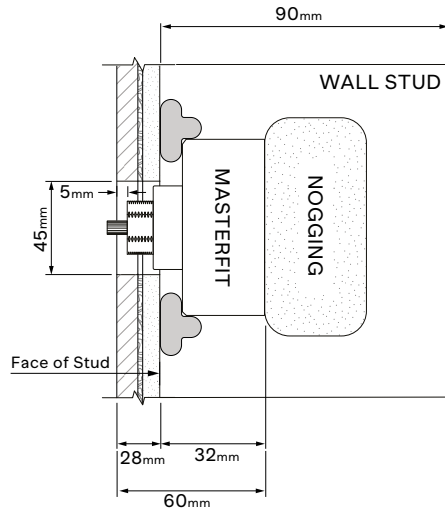


AS/NZS 3718:2005  
LIC. 20081

## Rough-in

### Step 1

For thinner wall coverings, the Masterfit needs to be set further back to compensate. For thicker wall coverings the Masterfit needs to be set forward. Ensure the Noggin set back is measured from the face of the stud.



Rough In Table

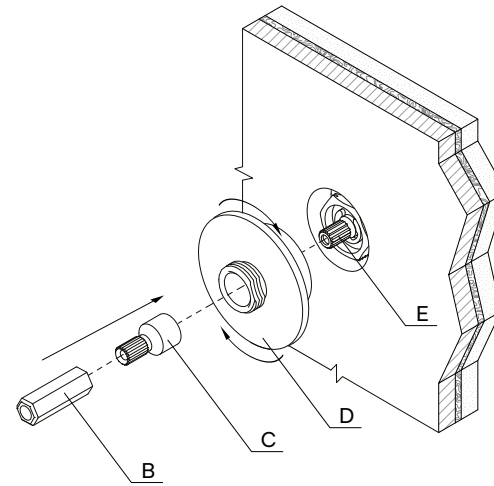
Wall Thickness	Noggin Set Back
32mm	28mm
30mm	30mm
28mm	32mm

☐ = Waterproofing

## Fit Off

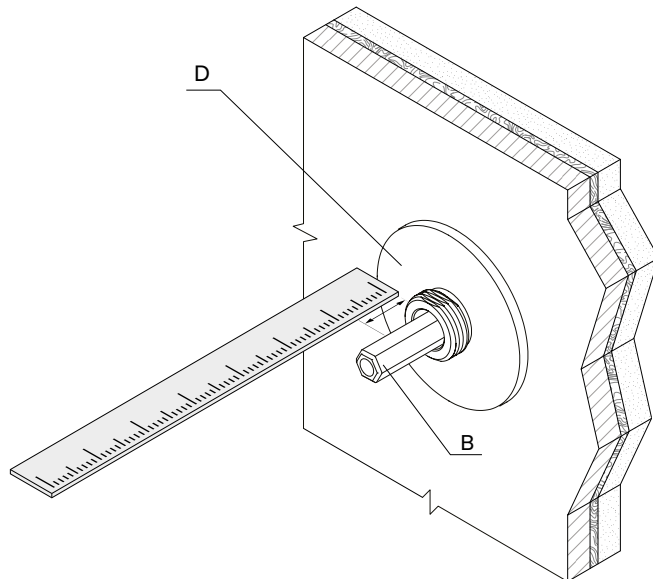
### Step 2

Thread Dress Ring (D) onto Spindle Locknut (E). Tighten Dress Ring (D) with a spanner. Fit the Extension (C) and the Adapter (B) onto the Spindle (E).



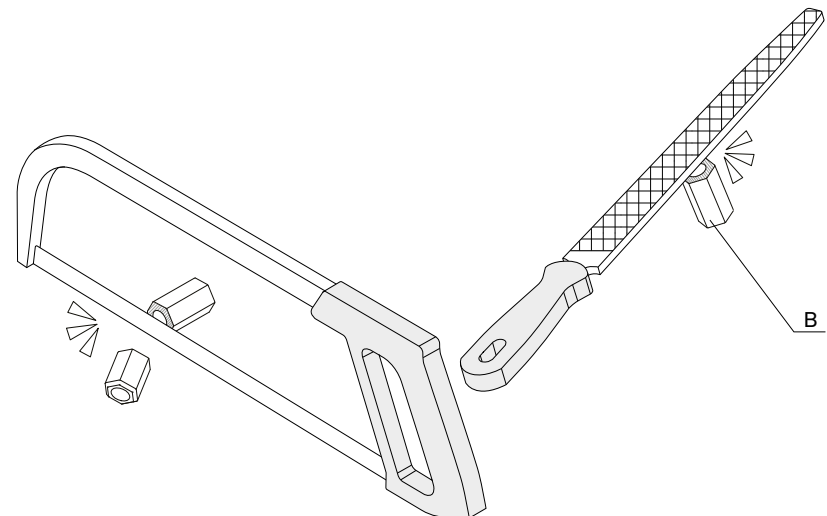
### Step 3

Measure and mark the Spindle Adapter (B) 19mm from the Dress Ring (D).



### Step 4

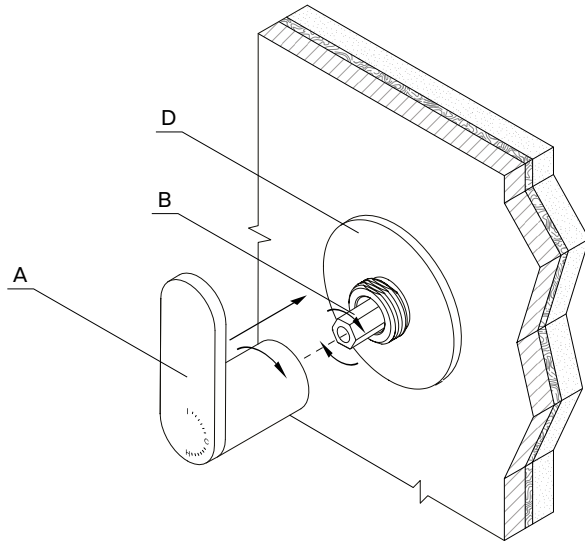
Cut and Deburr Spindle Adapter (B). Refit adapter onto the spindle.



## Fine Tuning Alignment

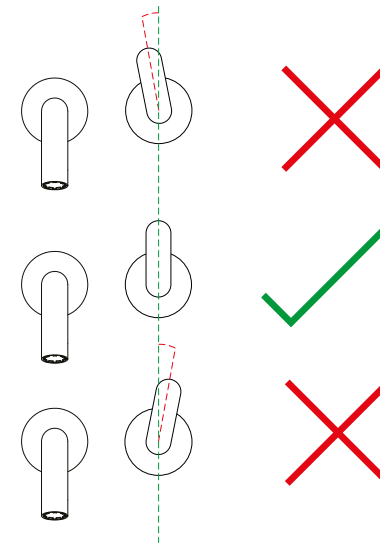
### Step 5

Ensure the Spindle is set to the 'OFF' position by rotating the Adapter (B) CLOCKWISE. Fit the Handle Assembly (A) with the lever in the upright position. Once engaged rotate the barrel of the handle to tighten against the Dress Ring (D).



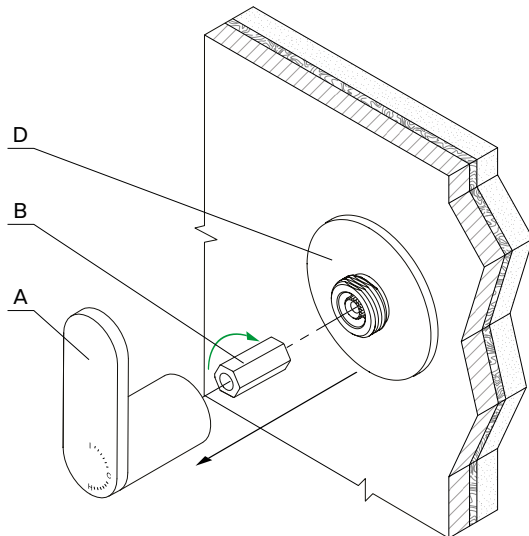
### Step 6

The handle must be fixed as shown with the "off" position in a vertical alignment.



### Step 7

If the handle alignment requires adjustment, remove the Handle (A) and Spindle Adapter (B). Rotate (B) to engage a different position on the spindle and refit. Repeat steps 5 and 7 until you reach alignment.



## Outlet Fit Off

### Step 8

- Fit the Outlet Dress Ring (G) over the Supply Post (F).
- Ensure the O-rings on the Supply Post (F) are lubricated.
- Push Outlet (I) onto Supply Post (F).
- Adjust alignment and secure the outlet by tightening Set Screw (H) with an alen key.

