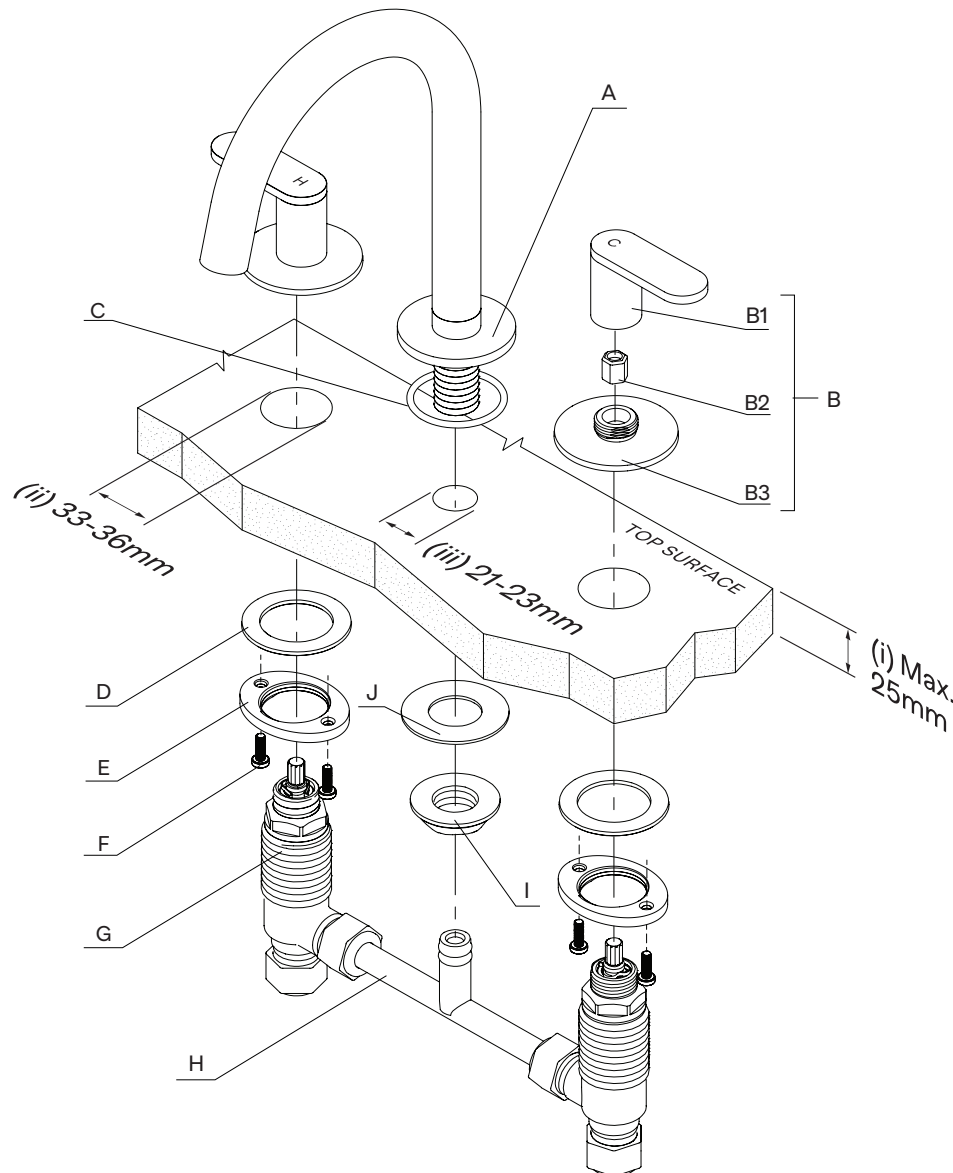


Duet Basin set

SUSSEX



Product code

DBS
DBSHS

Rough-in:

- Ensure Maximum bench thickness is (i) 25mm.
- Standard Spindles are supplied pre-installed into basin bodies and do not need to be separated.
- Handle holes should be between (ii) 33mm and 36mm diameter to allow for spindle clearance.
- The clearance hole for the outlet should be between (iii) 21mm and 23mm.
- In order to install the basin bodies under the bench, temporarily unscrew the top set of the basin body locknuts (E) and basin body clamping washers (D) and set aside.
- Separate Handle Assembly (B) prior to install.

Product parts

- (A) Basin Outlet.
- (B) Handle Assembly (consisting of B1 - Handle, B2 - Spindle Adapter and B3 - Dress Ring).
- (C) Outlet O-Ring.
- (D) Basin Body Clamping washer.
- (E) Basin Body Locknut.
- (F) Phillips Head Screw.
- (G) Basin Body Assembly
- (H) Tee-piece.
- (I) Outlet Locknut
- (J) Outlet Clamping Washer

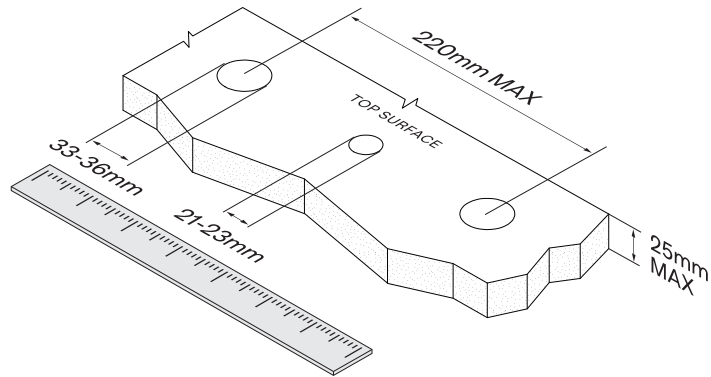
Plumber note

- Tapware is to be installed by a Licensed Plumber in accordance with AS/NZS 3500:2021
- Recommended working water pressure 300 - 500 Kpa. Maximum water temperature is 65°C
- After installation, ensure that tapware functions correctly without leaks.
- Please ensure a copy of the Installation Instructions are left with the end user for future reference.

FIT OFF

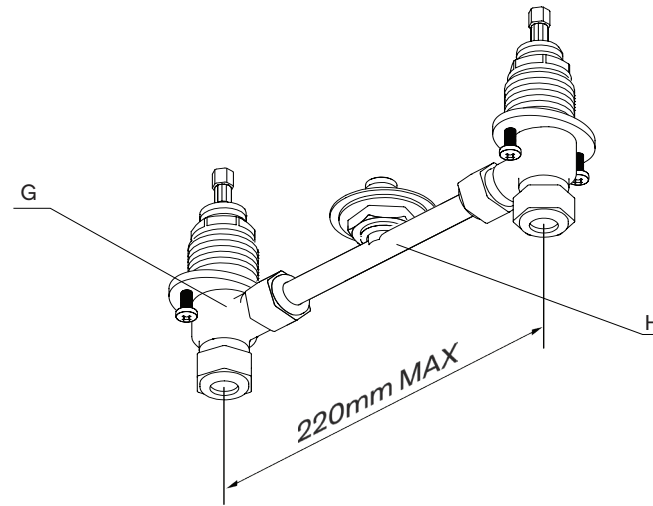
Step 1

Measure the bench top thickness and the distance between tap centres. Maximum bench thickness is 25mm and the maximum distance between tap centres is 220mm.



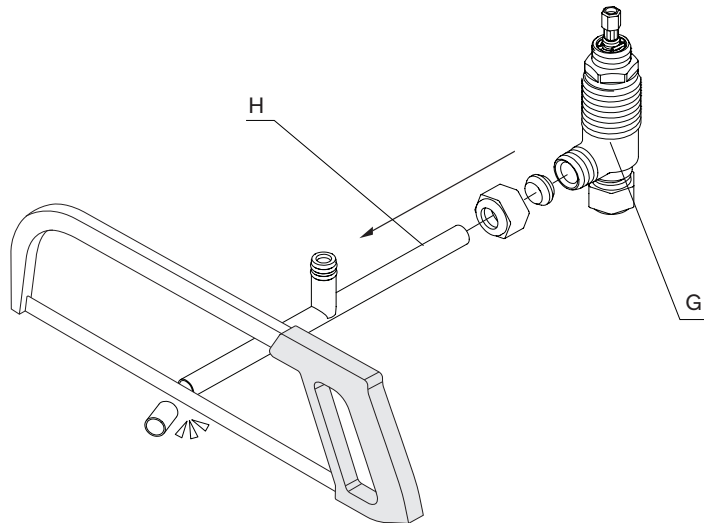
Step 2

- Loosely connect Tee-piece (H) to the hot/cold Basin Bodies (G)
- Measure distance between the centre of the Basin Bodies (G)



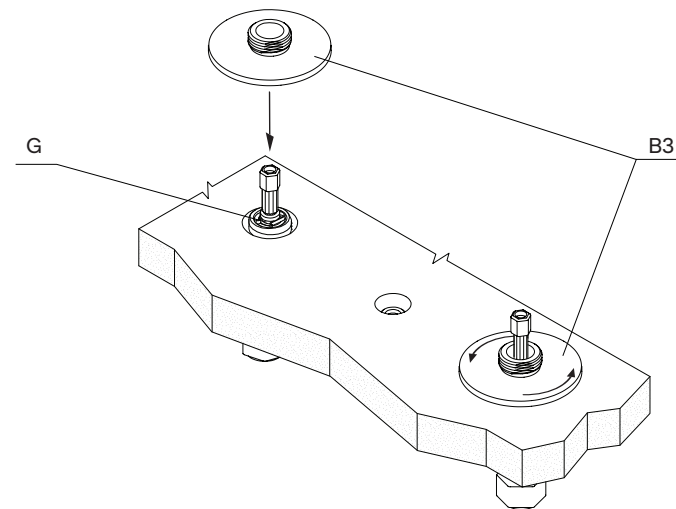
Step 3

Cut the Tee-piece (H) to the correct size if required and affix Basin Body (G) on either side using supplied locknuts. If an extension is required, contact the suppliers.



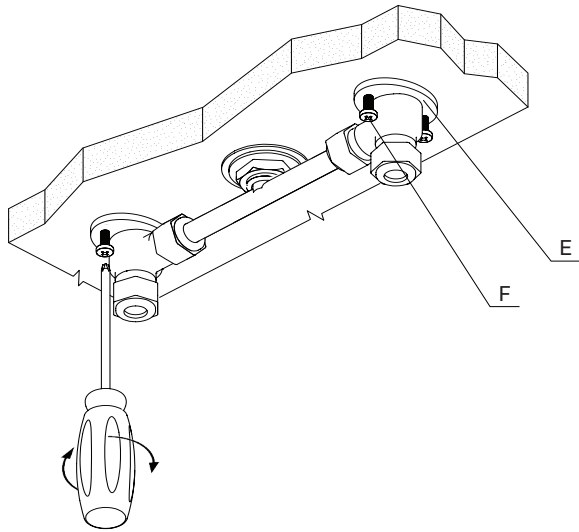
Step 4

On the top of the counter, screw the Dress Rings (B3) onto the spindle locknuts. Fit the dress ring and ensure it meets the top surface.



Step 5

Below the counter, secure the assembly by tightening the clamp Screws (F) using a Screwdriver.

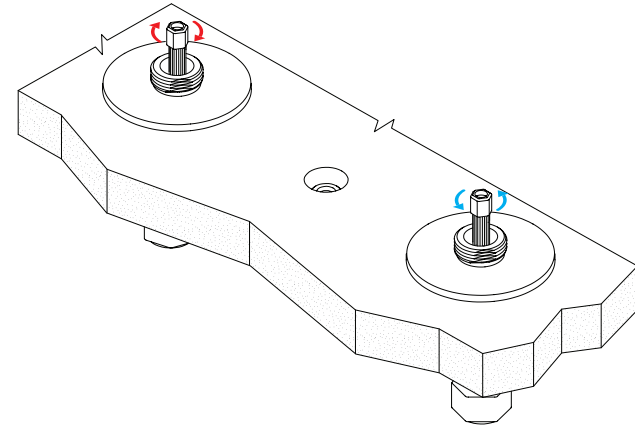


Step 6

When secure, ensure both spindles are set to the OFF position:

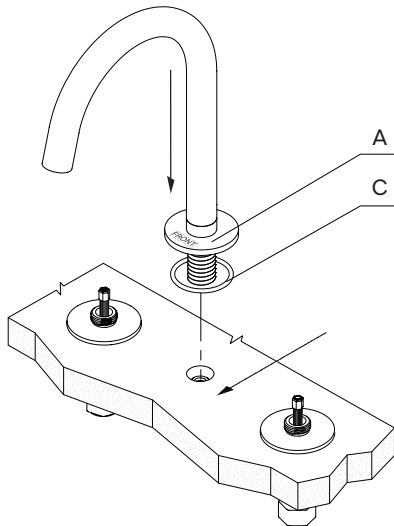
HOT = FULL TURN CLOCKWISE.

COLD = FULL TURN ANTICLOCKWISE.



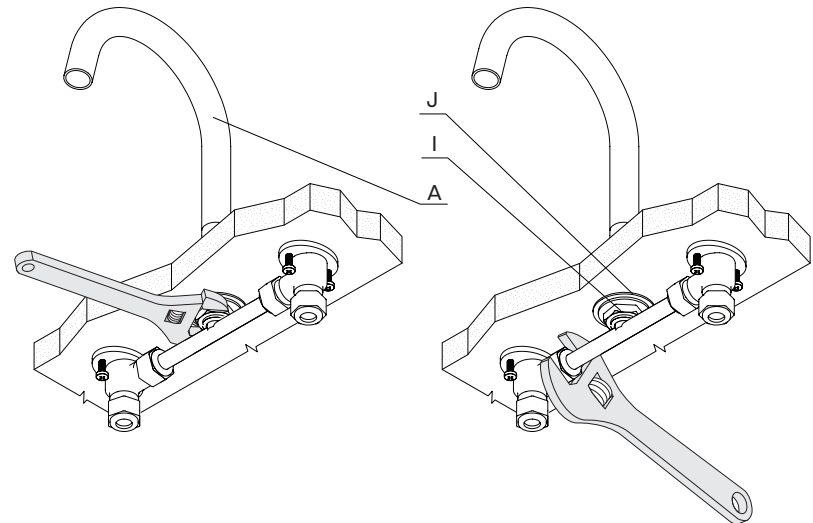
Step 7

Fit Basin Outlet (A) through the O-Ring (C) and the mounting surface, ensure the O-Ring (C) is intact. Note 'FRONT' label, arrange the flange (A) so the 'FRONT' label faces the basin.



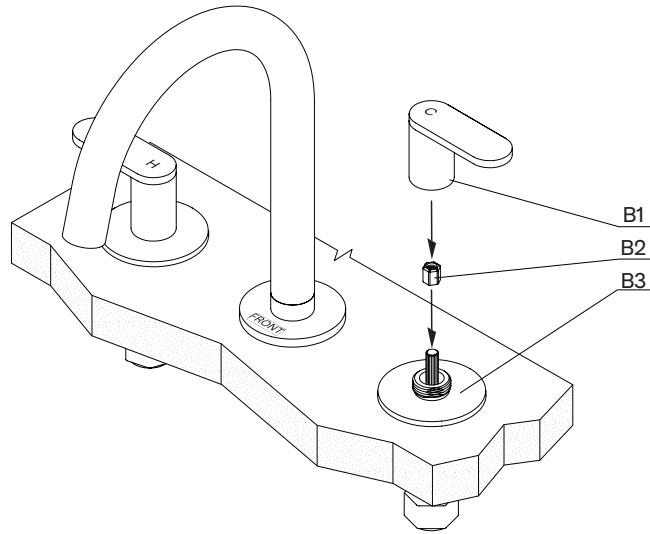
Step 8

Secure the Outlet (A) below the countertop by tightening the Outlet locknut (I) onto the Outlet Clamping Washer (J) with a spanner. Tighten basin body nuts to secure the breach.



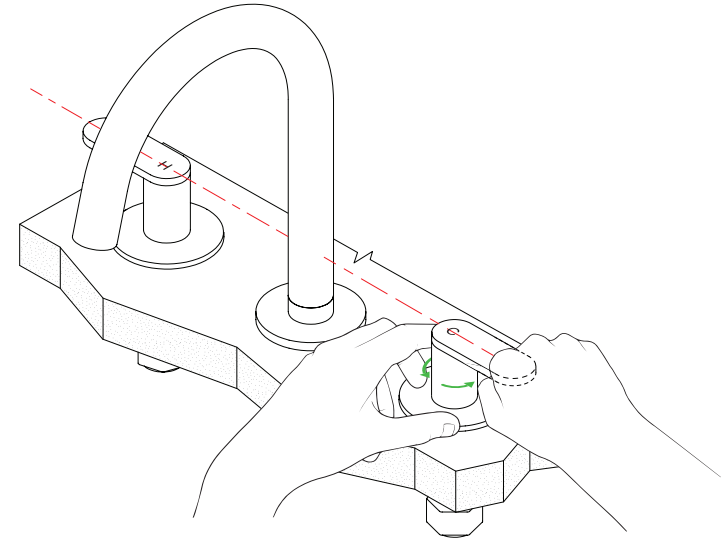
Step 9

The Handle Assembly (B) has 3 parts and is assembled in the demonstrated configuration.



Step 10

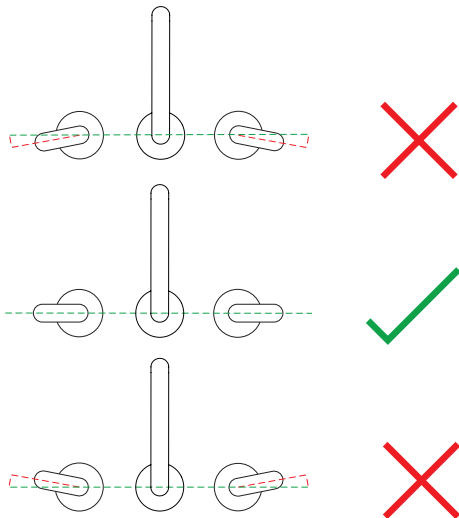
The Spindle Adapter (B2) will engage first, then rotate the barrel of the handle to meet the Dress Ring (B3), Tighten by hand only. See "FINE-TUNING HANDLE ALIGNMENT" for further instructions.



Fine-tuning Handle Alignment

Step 11

The handle must be affixed as shown with the standard "off" position in horizontal alignment.



Step 12

If the handle alignment requires adjustment, remove the Handle (B1) and Spindle Adapter (B2). Rotate (B2) to engage a different position on the spindle and refit. Repeat steps 10 and 12 until you reach alignment.

