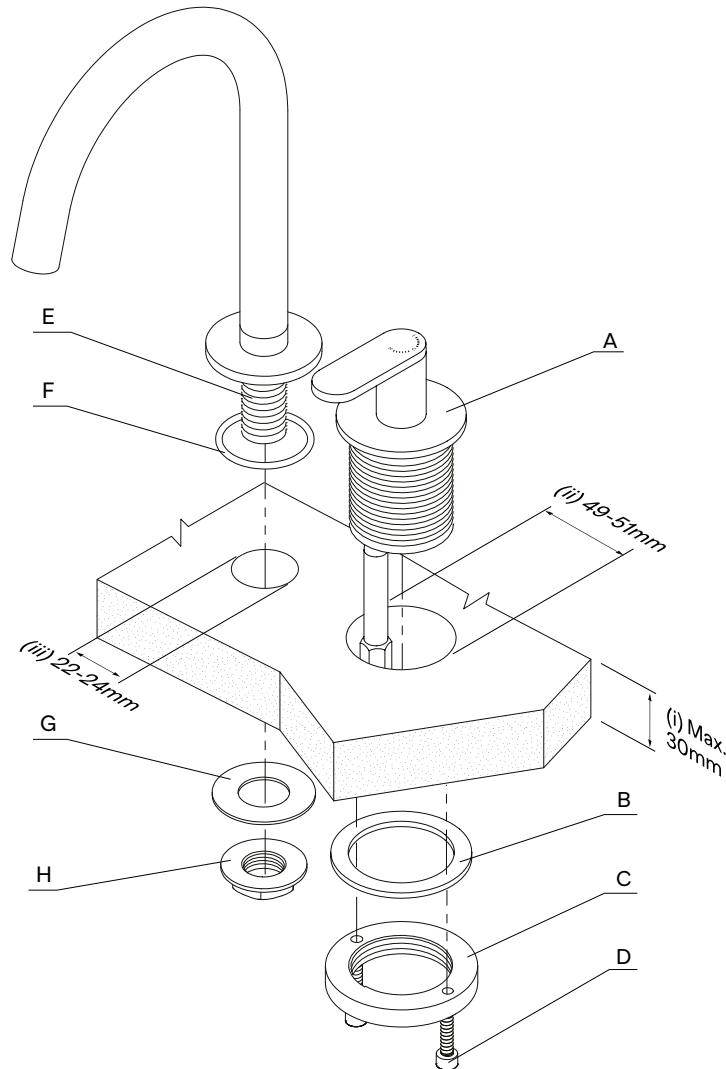


Duet Basin Sink Hob Mixer Set

SUSSEX



Product code

DBSHMSL
DBSHMSH

Install Preparation:

- Maximum Mounting Surface thickness is 30mm. (i)
- Hob Mixer: 49mm - 51mm Clearance Hole. (ii)
- Outlet: 22mm - 24mm Clearance Hole. (iii)
- Mounting Surface must be flat and level.
- Prior to installing remove:
 - (B) Clamping Ring
 - (C) Clamping Plate
 - (F) Outlet Washer
 - (G) Locknut

Product parts:

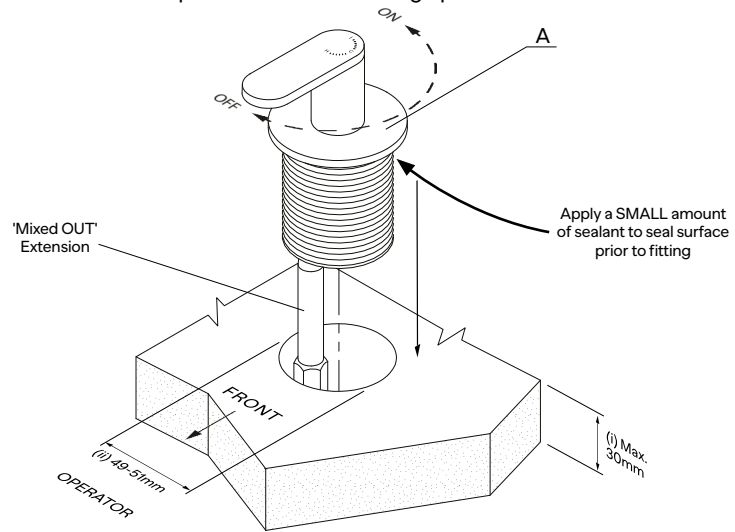
- (A) Hob Mixer
- (B) Clamping Ring
- (C) Clamping Plate
- (D) Fixing Screws
- (E) Outlet
- (F) O-Ring
- (G) Outlet Washer
- (H) Locknut

Plumbers note:

- Tapware is to be installed by a Licensed Plumber in accordance with AS/NZS 3500:2021
- Recommended working water pressure 300 - 500 Kpa. Maximum water temperature is 65°C
- After installation, ensure that tapware functions correctly without leaks.
- Please ensure a copy of the Installation Instructions are left with the end user for future reference.

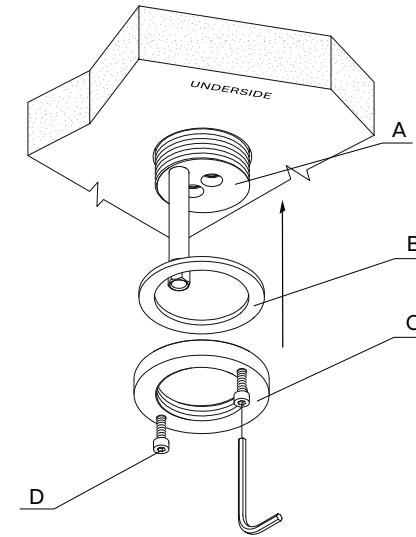
Step 1

Place the Hob Mixer (A) into the clearance hole making sure that the mixer is in the 'OFF' position facing 'FRONT'.
'Mixed OUT' Extension is to be positioned to front facing operator.



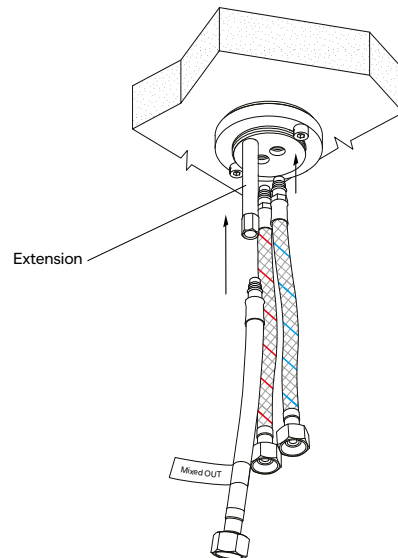
Step 2

Working from underneath, Attach the Clamping Ring (B) to the Hob Mixer (A). Thread the Clamping Plate (C) until it tightens the Ring. Secure the Hob Mixer by tightening the Fixing Screws (D) using a 5mm Allen key- Tighten well.



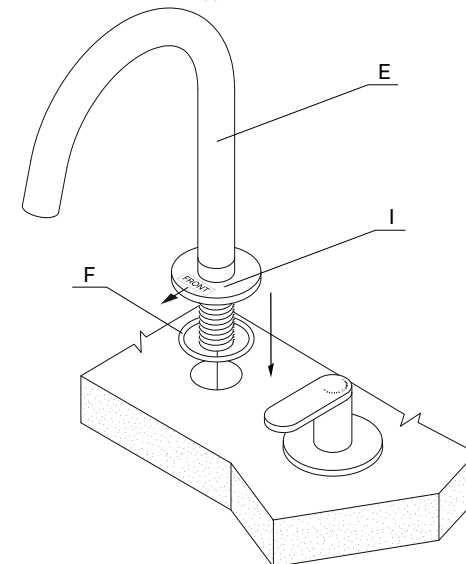
Step 3

Attach Hot and Cold flexible hoses to the Hob Mixer. Attach the 'Mixed OUT' flexible hose to the 'Mixed OUT' extension of the Hob Mixer.



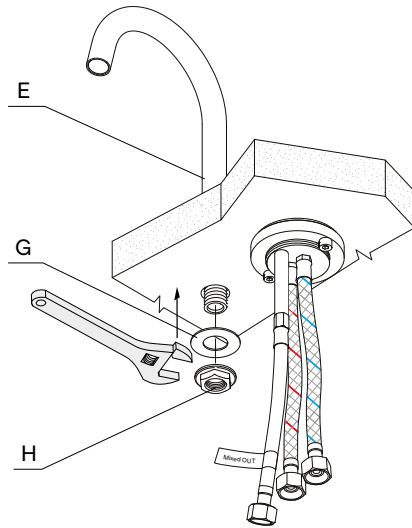
Step 4

Lower Outlet (E) through mounting surface. Ensure O-Ring (F) is intact. Note 'FRONT' label, arrange the flange (I) so the 'FRONT' label faces the basin.



Step 5

Working from underneath, fit the Outlet Washer (G) and thread the Locknut (H) onto the outlet fitting protruding through the underside of the Hob.



Step 6

- Connect Hot and Cold hoses to wall fittings.
- Note: Stop cocks are recommended. (not supplied)
- Connect 'Mixed OUT' hose to outlet (E).
- After all connections are made operate Hob Mixer and check for any leaks.

