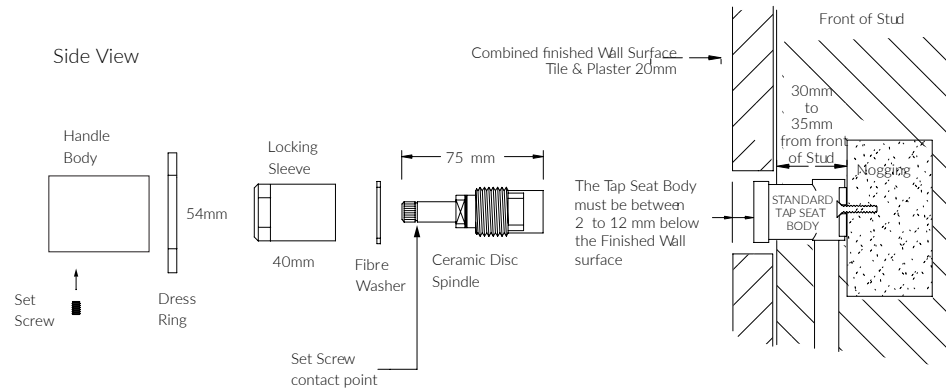


# Circa Wall bath set

# SUSSEX



## Rough in plumbing

- Upon receiving, carefully unpack the Tapware; note some parts have been combined for packaging purposes.
- Separate parts as shown in diagram. The Spindles are supplied with Hot and Cold indication.
- Install the Spindles hand-tight until the seal of the Spindle makes contact with the seat.
- To ensure a good seal is made; tighten the Spindle slightly more using an appropriate spanner. Do not over-tighten.
- Note, over-tightening the Spindles could damage the ceramic discs and in turn, void the manufacturer's warranty.
- Place the Fibre washer over the seated Spindle and fit the Locking Sleeve. (Tighten well).
- Seal the wall around the Locking Sleeve and immediately fit the Dress Ring.
- Fit the Handle Body, the Handle Body must be fully engaged onto the Spindle; note the Set Screw contact point. (See diagram)
- A mild adhesive can be applied to the Set screw when securing to the spindle.
- Secure the Handle body by tightening the Set screw using the 2mm Allen key provided. (Tighten well)
- After completing the installation, establish water supply, check function of Tapware and ensure no water leaks.

## Product code

RBS150	Wall bath set 150mm	RBS150-V	Wall bath set 150mm - Vertex
RBS200	Wall bath set 200mm	RBS200-V	Wall bath set 200mm - Vertex
RBS250	Wall bath set 250mm	RBS250-V	Wall bath set 250mm - Vertex

## Installation guidelines

### Rough in (new wall breach)

- A standard Wall Breach (not supplied) is to be used in conjunction with this Tapware.
- Prepare a nogging to be fitted 30 - 35mm back from the front of the stud for the fixing of the Wall Breach (as shown).
- When fixing the Breach to the nogging; ensure the Tap seats of the Breach will be level and square to the Finished Wall.
- To ensure the Tapware will fit correctly the thickness of the finished wall coverings must be calculated prior to "Rough In".
- When using thicker than normal wall covering, position the breach as forward as possible to ensure the Tapware will fit.

### Using existing breach (changing tapware only)

- Remove the old Spindles and clean surrounding area.
- When installing new Spindles into old Breaching, it is highly recommended to use a re-seating tool to dress the Seat.
- Ensure the Spindle Seat is clean, flat and free of any debris.
- All lines must be completely flushed prior to fitting the Spindles.
- The distance from the finished Wall surface to the top of the Tap Seat must be between 2 to 12mm (See diagram)
- If the installation configuration is not with-in the dimensions as shown, alternative Spindles are available.

Longer Spindles can be ordered from original place of purchase. Sussex Part No. SXSPEK (12mm longer than standard)

### Outlet fit off

- Fit the Dress ring onto the Outlet.
- Apply sealing tape (Teflon) to male thread. Fit, align and secure Outlet in place.
- Push Dress Ring back to meet the wall.

**NOTE: Seat or Breach Body extensions are NOT to be used in conjunction with this Tapware. Failure to adhere will void warranty.**

