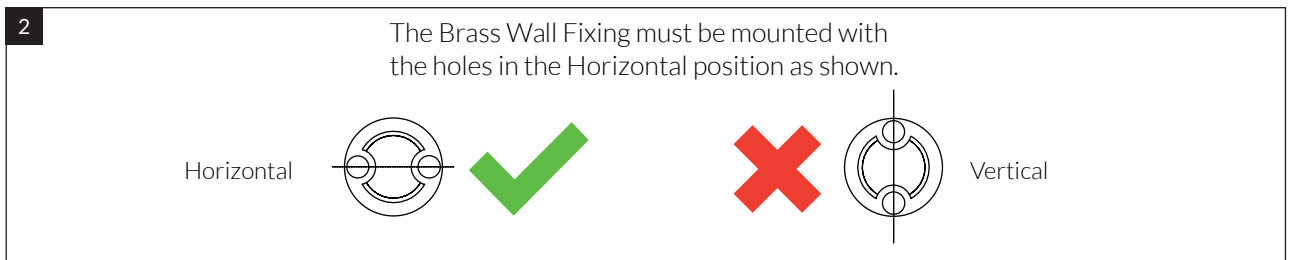
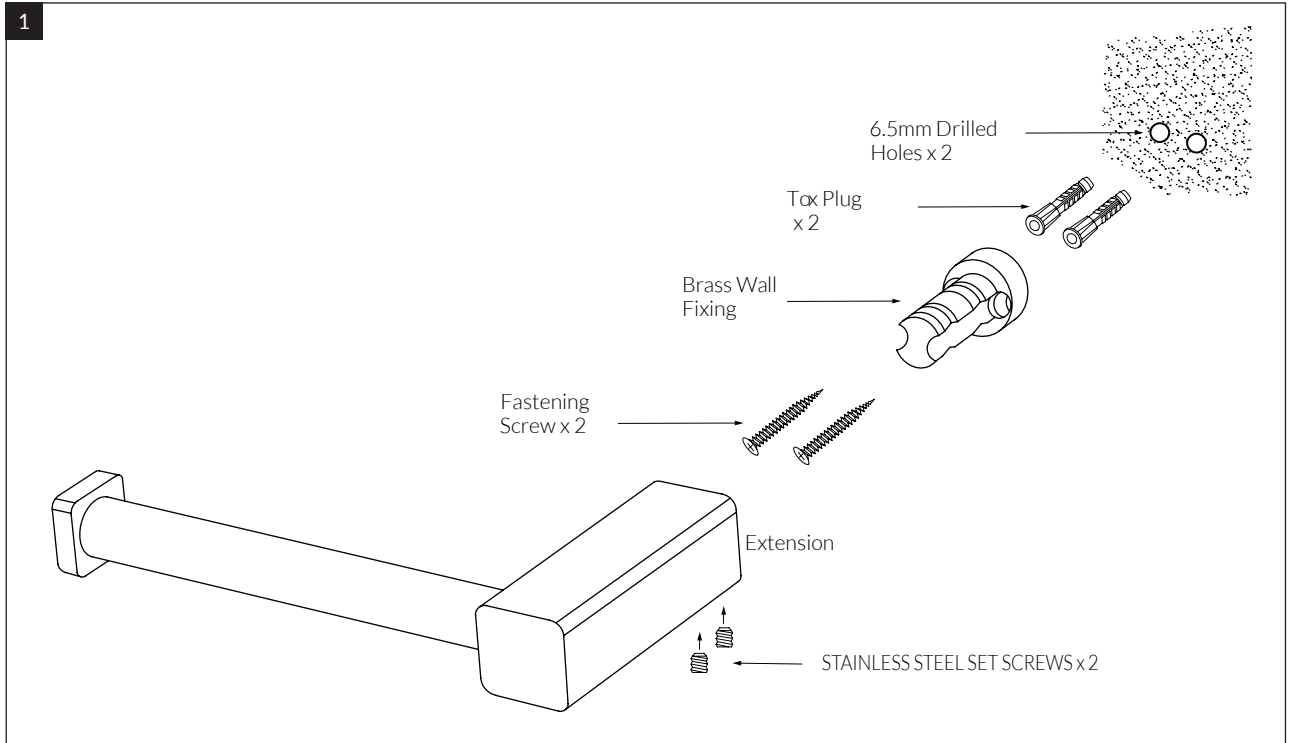


Tapware is to be installed by a Licensed Plumber in accordance with AS/NZS 3500:2003

Recommended working water pressure 300-500 kpa.  
Maximum water temperature is 65 deg.c.

INSTALLATION GUIDE

**Suba Toilet Roll Holder**  
Product code: BTRH



- The Toilet Roll Holder is supplied pre-assembled within its packaging.
- Using the supplied 2mm Allen Key, loosen the Stainless Steel Set Screws and remove the Brass Wall Fixing from the Extension.
- After choosing the fixing location, use the removed Brass Wall Fixing to mark-out the drilling holes

NOTE:

- The Brass Wall Fixing must be mounted with the Holes in the Horizontal direction. (see Fig.2 )
- Drill the 6.5mm holes, fit Tox Plugs and secure the Brass Wall Fixing using the Fastening Screws.
- Fit the Toilet Roll Holder over the Brass Wall Fixing, aligned square, and tighten the Stainless Steel Set Screws.