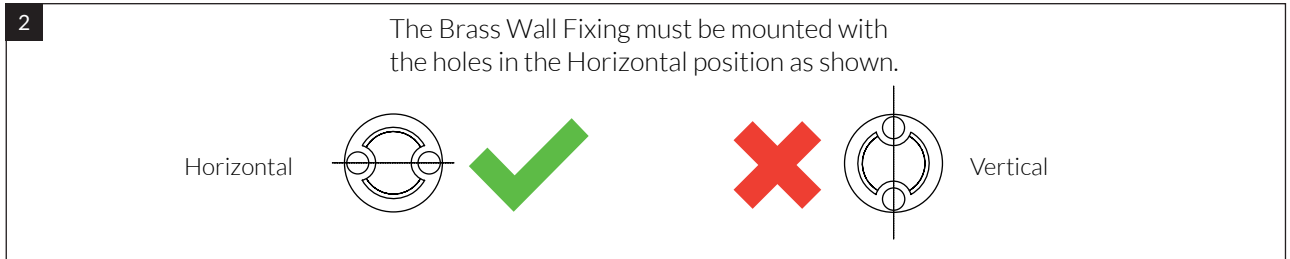
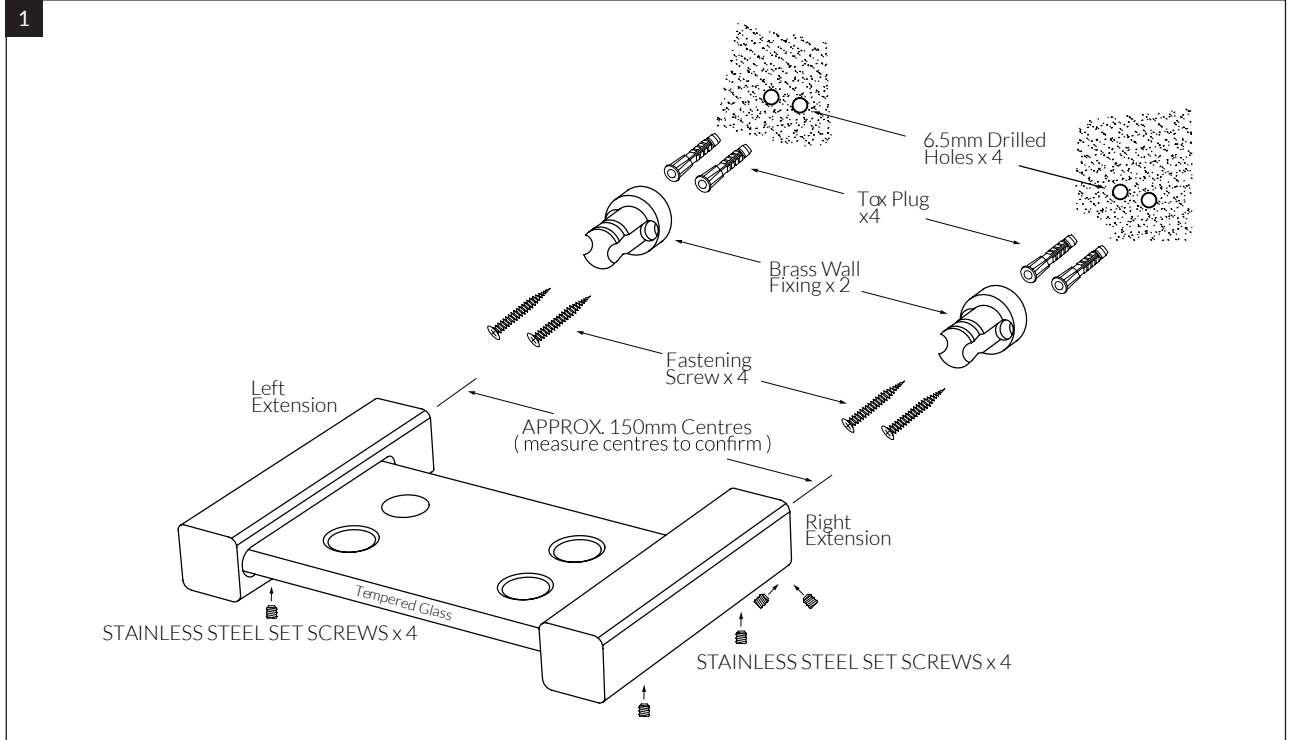


Tapware is to be installed by a Licensed Plumber in accordance with AS/NZS 3500:2003

Recommended working water pressure 300-500 kpa.
Maximum water temperature is 65 deg.c.

INSTALLATION GUIDE

Suba Toothbrush Holder
Product code: BTBH



- The Toothbrush Holder is supplied pre-assembled within its packaging.
- Using the supplied 2mm Allen Key, loosen the Stainless Steel Set Screws and remove the Brass Wall Fixings.
- Prior to drilling mounting holes, measure to confirm the exact centre distance between the Extensions as assembled.
- Choose the desired location for mounting and mark-out measured centres, Add 1 or 2 mm to ensure final fit of Toothbrush Holder.
- Centralize the Brass Wall Fixings onto the marked-out positions and transfer drilling holes.

NOTE:

- The Brass Wall Fixings must be mounted with the Holes in the Horizontal direction. (see Fig.2)
- Drill 6.5mm holes, fit Tox Plugs and secure the Brass Wall fixings using the Fastening Screws.
- Prior to fitting the Toothbrush Holder, use the supplied 2.5mm Allen key and slightly loose the Stainless Steel Retaining Screws.
- Fit the Toothbrush Holder over the Brass Wall Fixings as a combined assembly . (Glass with Extensions)
- Ensure the Extensions are aligned square and tighten the Stainless Steel Set Screws.
- To complete the installation re-tension the Stainless Steel Retaining Screws to brace the glass shelf.