

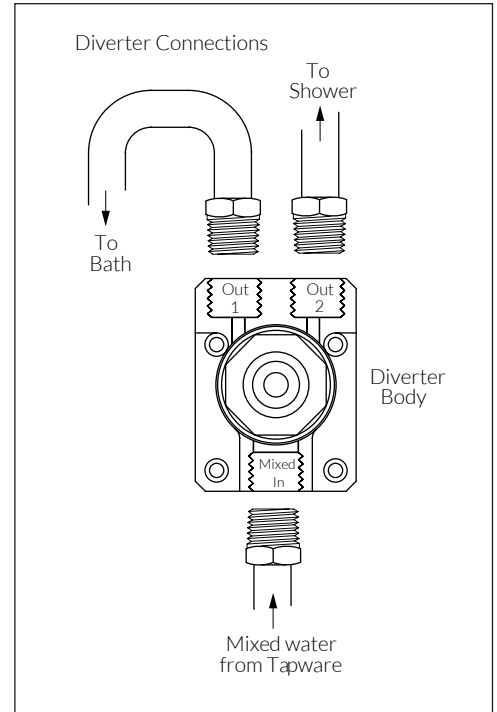
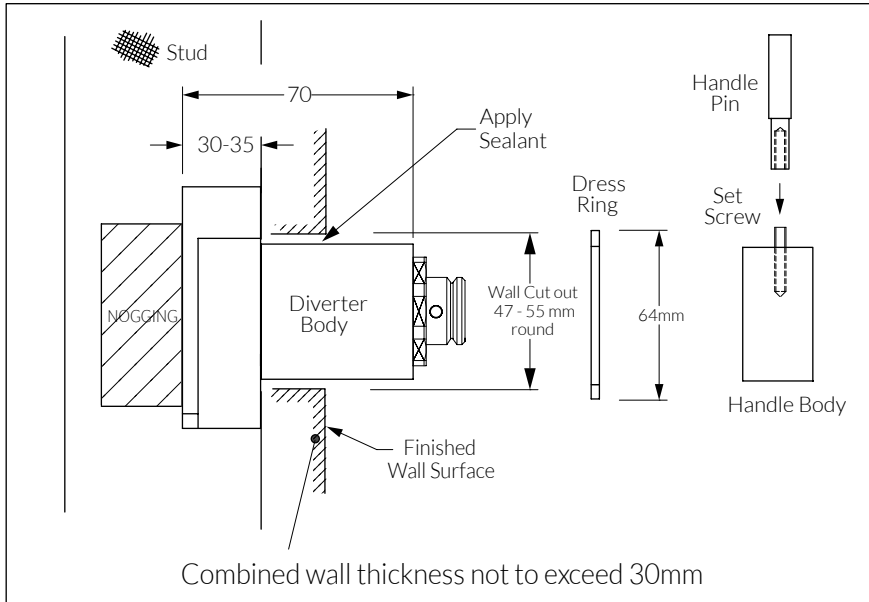
Tapware is to be installed by a Licensed Plumber in accordance with AS/NZS 3500:2003

Recommended working water pressure 300-500 kpa.
Maximum water temperature is 65 deg.c.

INSTALLATION GUIDE

Calibre Diverter

Product code: CDIV



ROUGH IN PLUMBING

- Prior to installing, calculate the finished wall thickness to ensure the Dress Ring and Handle will fit at the final assembly.
- The Diverter Body is supplied with a plastic cover for protection during Plastering and Tiling.
- Fix a Nogging or a purpose built frame between the Wall Studs.
- Set the Nogging 30 to 35mm back from the front of the stud as shown.
- Using the screws provided, fix the Diverter Body to a the Nogging or purpose built frame.
- All ports are marked on the shoulder of the Diverter body to indicate the appropriate connections.
- Flush all water feed lines. All lines must be free from any dirt and debris before connecting.

NOTE: The Mixed water line from the tapware can only be connected to the port marked "Mixed IN"

- After all water connections are made, check water flow is being diverted between Outlet 1 and Outlet 2.
- Check all connections for any water leaks.
- Store remaining parts in a safe place until wall coverings have been completed and final fit-off is required (Dress finishing)

NOTES

- Please follow the Hot/Cold tapware installation guide in conjunction with this Diverter guide.
- The Diverter Body can be positioned in the wall, above or below, left or right of the Hot/Cold in tapware.
- The operation of the Diverter is not effected by its mounting orientation.
- The Hot/Cold mixed water from the tapware must be connected to the "Mixed In" port of the Diverter Body (as drawn).
- Rotating the Handle of the Diverter will direct the flow of water to the desired Outlet.

DRESS FINISHING

- Apply Silicone and seal the Wall around the Mixer Body to ensure the installation is water-tight.
- Fit the Dress Plate onto the Diverter Body until it reaches the Wall covering.
- Fit the Handle Body ensure full engagement.
- Align Handle to chosen position and tighten Set screw using the 2.5mm Allen Key provided. (Tighten well)
- Fit the Handle Pin onto the remaining portion of the set screw protruding from the Handle Body.
- To help prevent the Pin from becoming loose, silicone or a mild adhesive (Loctite) may be applied to the thread of the Pin